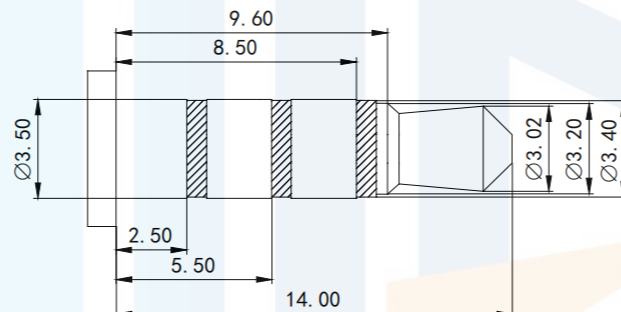
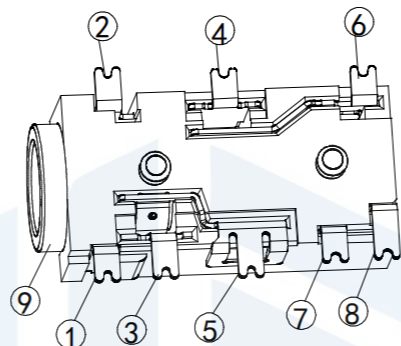
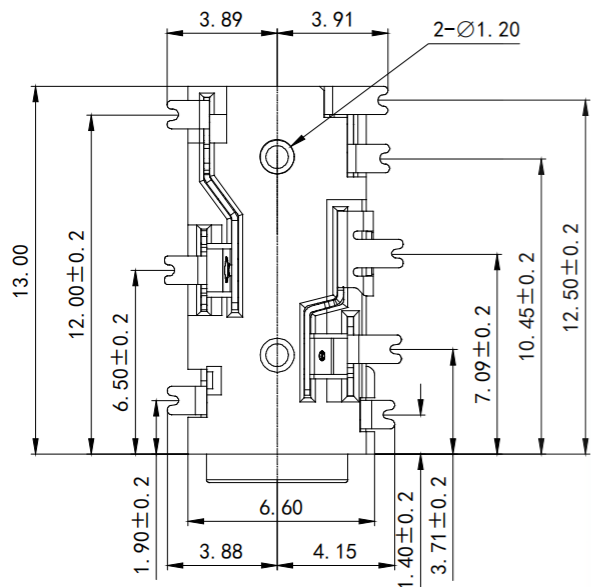


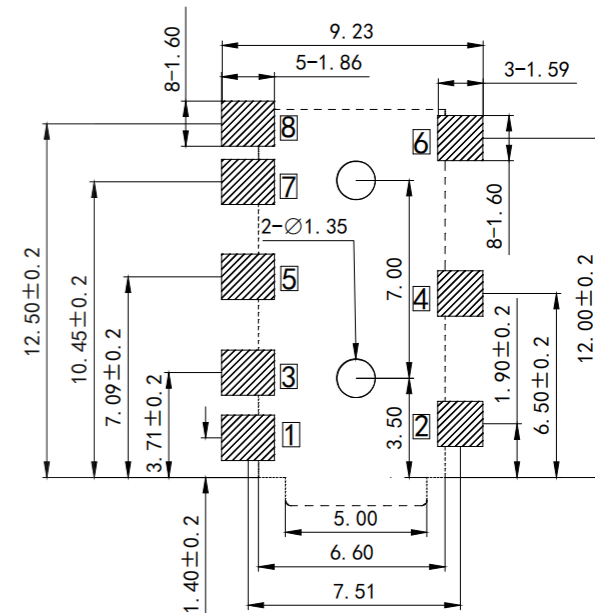
RoHS2.0
Compliant



Ø3.50mm 4 POLE PLUG
DETAIL DRAWING (1:1)

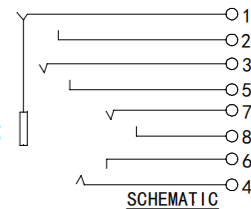
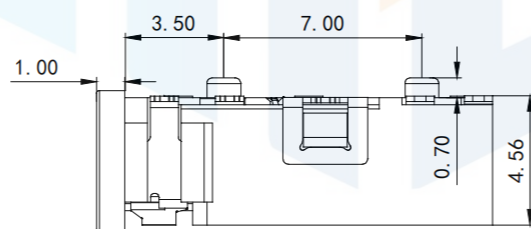
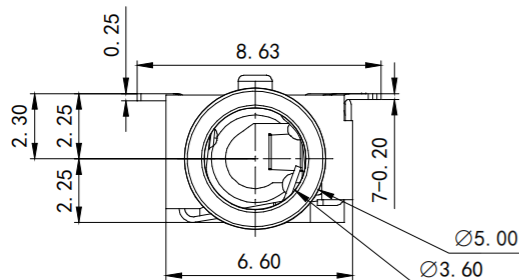
SPFCIFICATION

1. Rating DC 30V 0.5A
2. Contact resistance <30mΩ
3. Insulation resistance 100MΩ (DC250V)
4. Withstand voltage 500VAC
5. Insertion and extraction force 3-30N;
6. life test 5,000 cycles

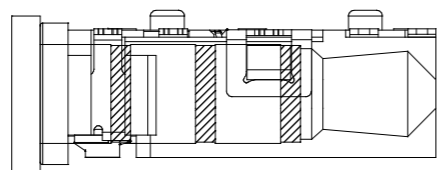


RECOMMENDED PCB LAYOUT (TOP VIEW)

GENERAL TOLERANCE ±0.05



SCHEMATIC



Product application:
The spring working
position when Plug-In

TOLERANCE X. XXX ±0.05 X. XX ±0.15 X. X ±0.20 X. ±0.30 ANGLE ±5.0°		东莞市恒祺电子科技有限公司 Dongguan Hengqi Electronic Technology Co., Ltd	
		https://www.hq-dz.com phone:15812872448	
PROTECTON 	DRAWN: CHECKED: APPROVED:	TITLE: 耳机插座	
		PART NO: PJ-3631	
		DRAWING NO: 13*6.6*4.5	
		DATE:	18-10-08
		DATE:	18-10-08
		DATE:	18-10-08
		UNIT:	mm
		SCALE:	FULL
		SIZE:	A4