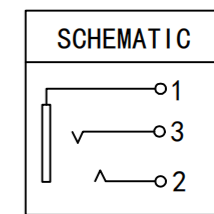
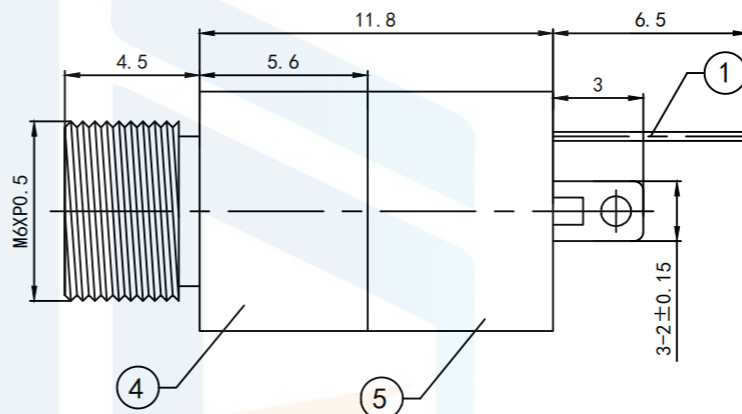
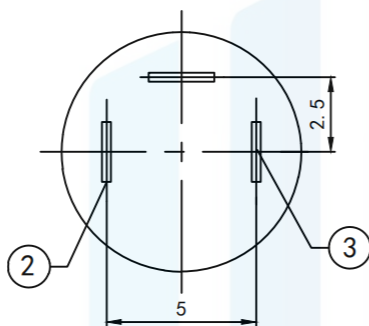
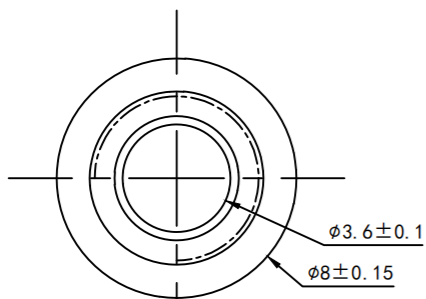


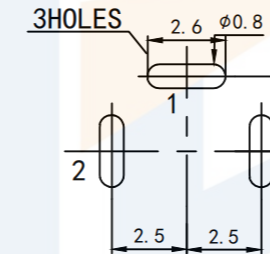
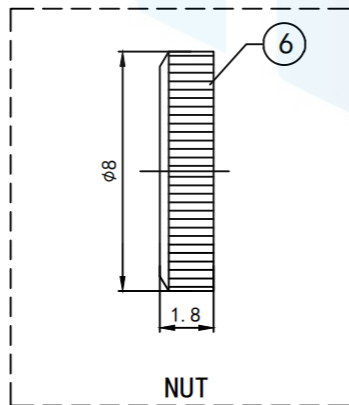
RoHS2.0  
Compliant



SPFCIFICATION

1. Rating DC 30V 0.5A
2. Contact resistance <math>< 30m\Omega</math>
3. Insulation resistance <math>100M\Omega</math> (DC250V)
4. Withstand voltage 500VAC
5. Insertion and extraction force 3-30N;
6. life test 5,000 cycles

T:1.6 Dimensions of PC board holes  
Tolerance:  $\pm$  (Printed-Top view)



TOLERANCE	
X. XXX	$\pm 0.05$
X. XX	$\pm 0.15$
X. X	$\pm 0.20$
X.	$\pm 0.30$
ANGLE	$\pm 5.0^\circ$

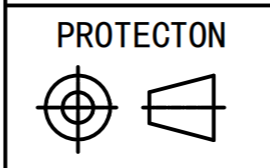


东莞市恒祺电子科技有限公司  
Dongguan Hengqi Electronic Technology Co., Ltd

<https://www.hq-dz.com> phone: 15812872448

TITLE:  
耳机插座

PART NO: PJ-392  
DRAWING NO: 11.8\*4.5\*6.5



DRAWN:  
CHECKED:  
APPROVED:

DATE: 18-10-08  
DATE: 18-10-08  
DATE: 18-10-08

UNIT: mm  
SCALE: FULL  
SIZE: A4

UNLESS OTHERWISE SPECIFIED TOLERANCE ON DECIMAL:  $\pm 0.3$