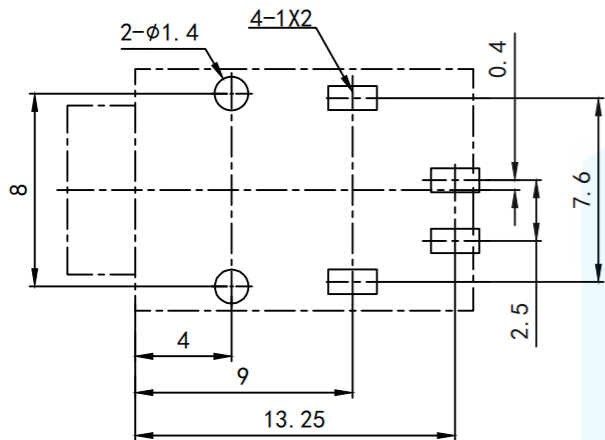
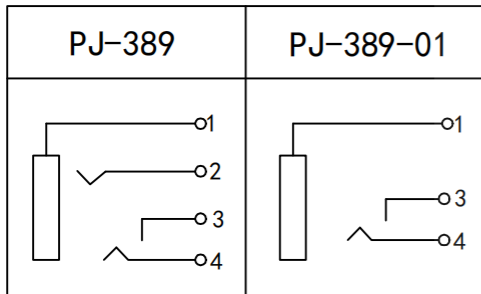
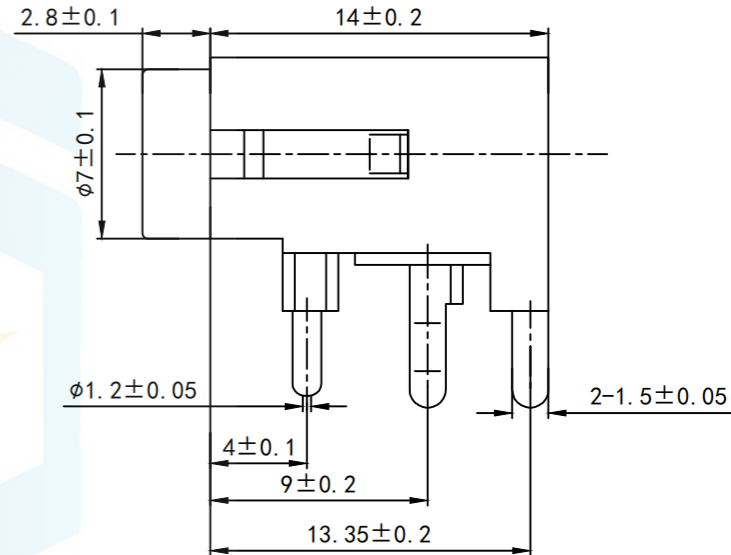
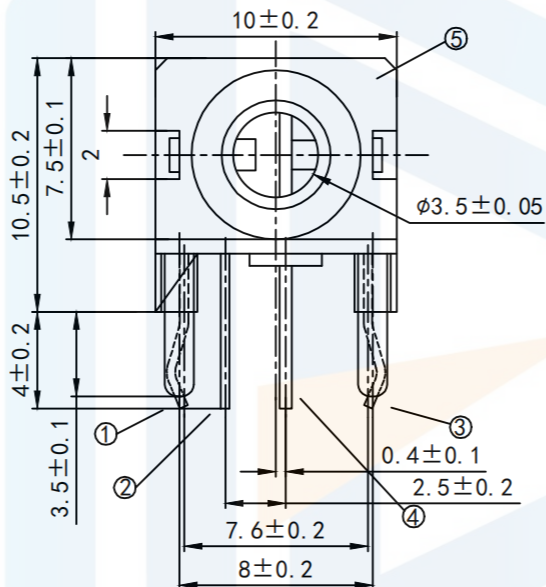


RoHS2.0
Compliant



P-C-B

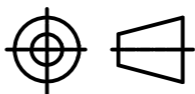


Main technical performance
 Rated electric load DC 30V\1A
 Contact resistance <0.03Ω
 Insulation resistance >100MΩ
 Withstand voltage AC500V (50Hz) min
 Insertion and removal force 5~25N
 Temperature resistance 20~70°C
 Service life >5000 times

TOLERANCE

X. XXX	±0.05
X. XX	±0.15
X. X	±0.20
X.	±0.30
ANGLE	±5.0°

PROTECTON



东莞市恒祺电子科技有限公司
 Dongguan Hengqi Electronic Technology Co., Ltd

<https://www.hq-dz.com>

phone:15812872448

TITLE:

耳机插座

PART NO: PJ-389-3P

DRAWING NO: 16.8*10*7.5

DRAWN:

DATE:

18-10-08

UNIT:
mm

CHECKED:

DATE:

18-10-08

SCALE:
FULL

APPROVED:

DATE:

18-10-08

SIZE:
A4