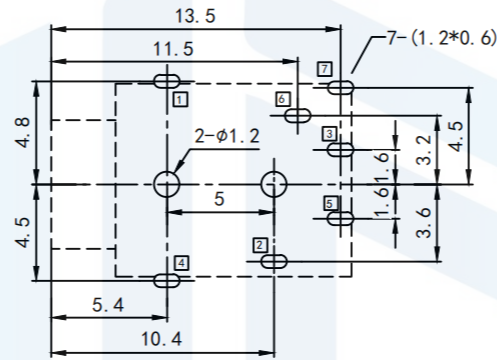
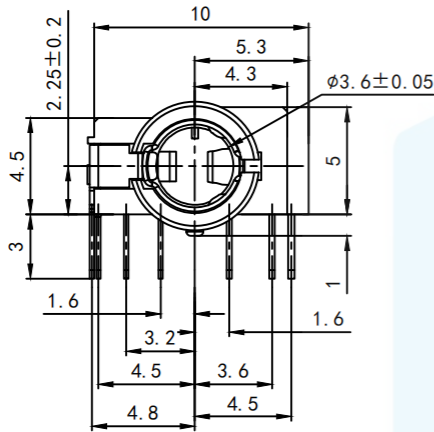
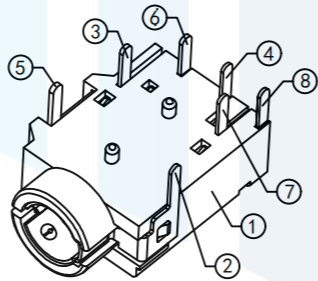
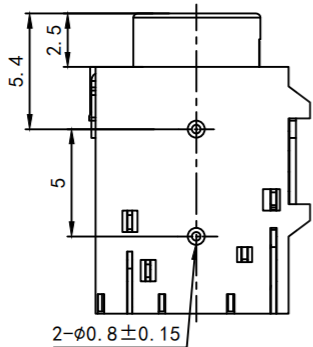
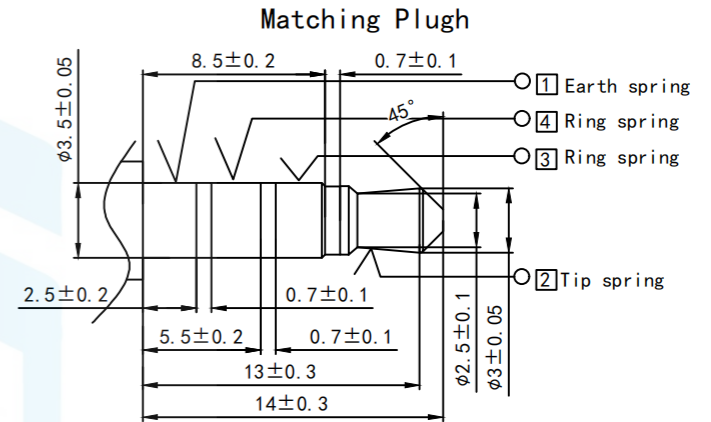


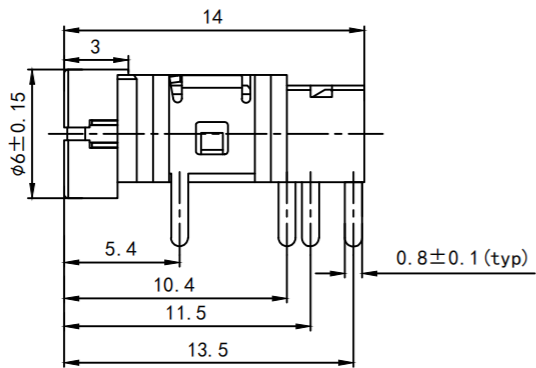
RoHS2.0
Compliant



RECOMMENDED P.C.B Layout



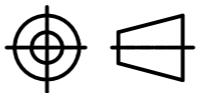
PJ-362A	PJ-362A-1	PJ-362A-2	PJ-362A-3	PJ-362A-4	PJ-362A-5



TOLERANCE

X. XXX	±0.05
X. XX	±0.15
X. X	±0.20
X.	±0.30
ANGLE	±5.0°

PROTECTON



东莞市恒祺电子科技有限公司
Dongguan Hengqi Electronic Technology Co., Ltd

<https://www.hq-dz.com>

phone:15812872448

TITLE:

耳机插座

PART NO: PJ-362常开

DRAWING NO: 14*10*5

DRAWN:

DATE:

18-10-08

UNIT:
mm

CHECKED:

DATE:

18-10-08

SCALE:
FULL

APPROVED:

DATE:

18-10-08

SIZE:
A4