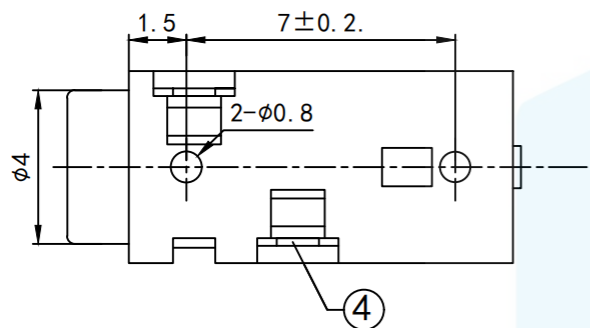
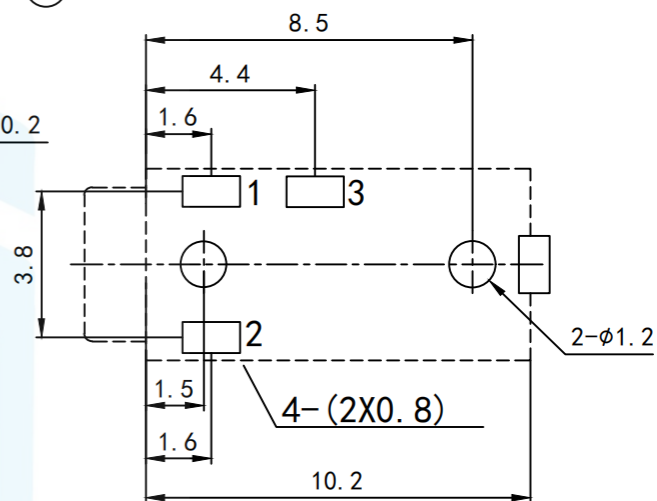
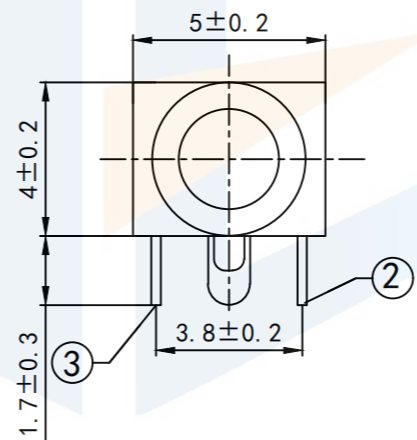
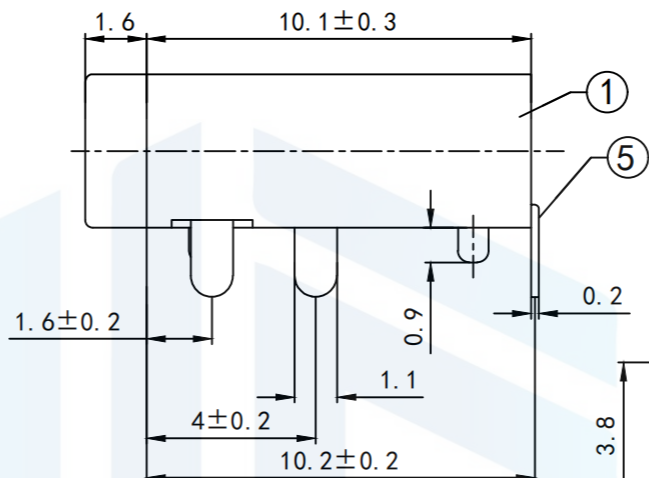
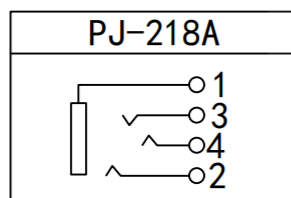


RoHS2.0  
Compliant



**SCHMATIC**



**P. C. B LAYOUT  
TOP VIEW**

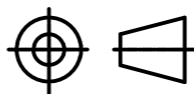
**PECIFICATION**

1. Rating DC 30V 0.5A
2. Contact resistance <0.03Ω
3. Insulation resistance 100MΩ (DC250V)
4. Withstand voltage 500VAC
5. Insertion and extraction force 3-20N;
6. life test 5,000 cycles

**TOLERANCE**

X. XXX	±0.05
X. XX	±0.15
X. X	±0.20
X.	±0.30
ANGLE	±5.0°

**PROTECTON**



东莞市恒祺电子科技有限公司

Dongguan Hengqi Electronic Technology Co., Ltd

<https://www.hq-dz.com>

phone: 15812872448

TITLE:

耳机插座

PART NO: PJ-218A

DRAWING NO: 11.7\*5\*4

DRAWN:

DATE:

18-10-08

UNIT:  
mm

CHECKED:

DATE:

18-10-08

SCALE:  
FULL

APPROVED:

DATE:

18-10-08

SIZE:  
A4