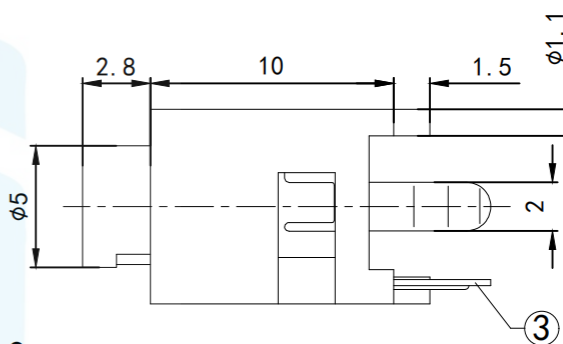
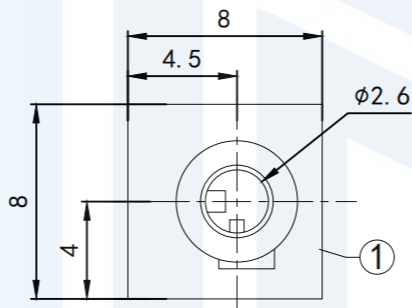
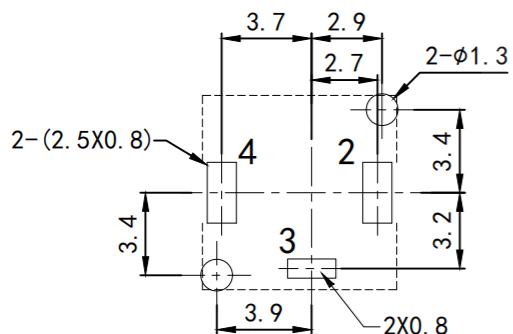
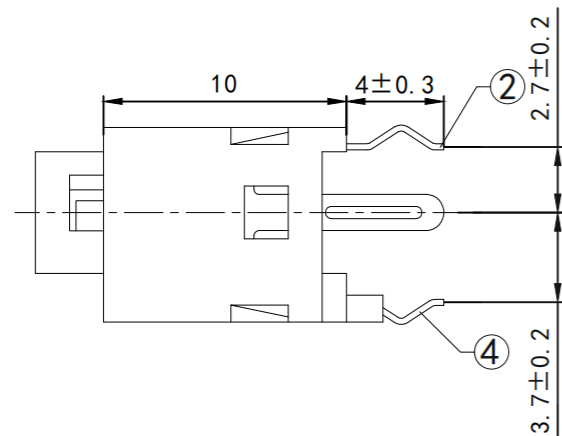
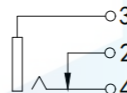


RoHS2.0  
Compliant

P. C. B LAYOUT  
TOP VIEW



SCHEMATIC



NO.	DESCRIPTION	QTY	MATERIAL	PLATING
4	SPRING PIECE	1	PHOSPHOR BRONZE	Ag-Plating
3	CONTACT FOOT	1	PHOSPHOR BRONZE	Ag-Plating
2	CURVE PIECE	1	BRASS	Ag-Plating
1	HOUSING	1	PBT	

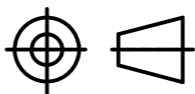
PECIFICATION

1. Rating DC 30V 0.5A
2. Contact resistance <0.03Ω
3. Insulation resistance 100M $\Omega$  (DC250V)
4. Withstand voltage 500VAC
5. Insertion and extraction force 3-20N;
6. life test 5,000 cycles

TOLERANCE

X. XXX	±0.05
X. XX	±0.15
X. X	±0.20
X.	±0.30
ANGLE	±5.0°

PROTECTON



东莞市恒祺电子科技有限公司  
Dongguan Hengqi Electronic Technology Co., Ltd

<https://www.hq-dz.com>

phone: 15812872448

TITLE:  
耳机插座

PART NO: PJ-215

DRAWING NO: 12.8\*8\*8

DRAWN:

DATE: 18-10-08

UNIT:  
mm

CHECKED:

DATE: 18-10-08

SCALE:  
FULL

APPROVED:

DATE: 18-10-08

SIZE:  
A4