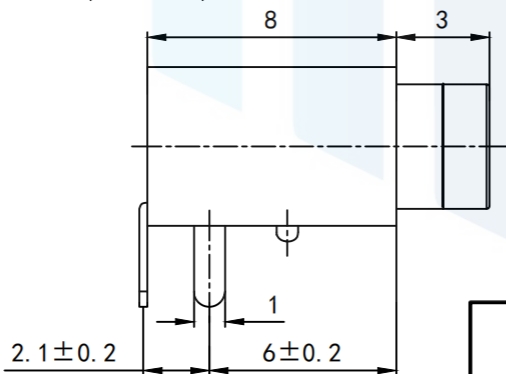
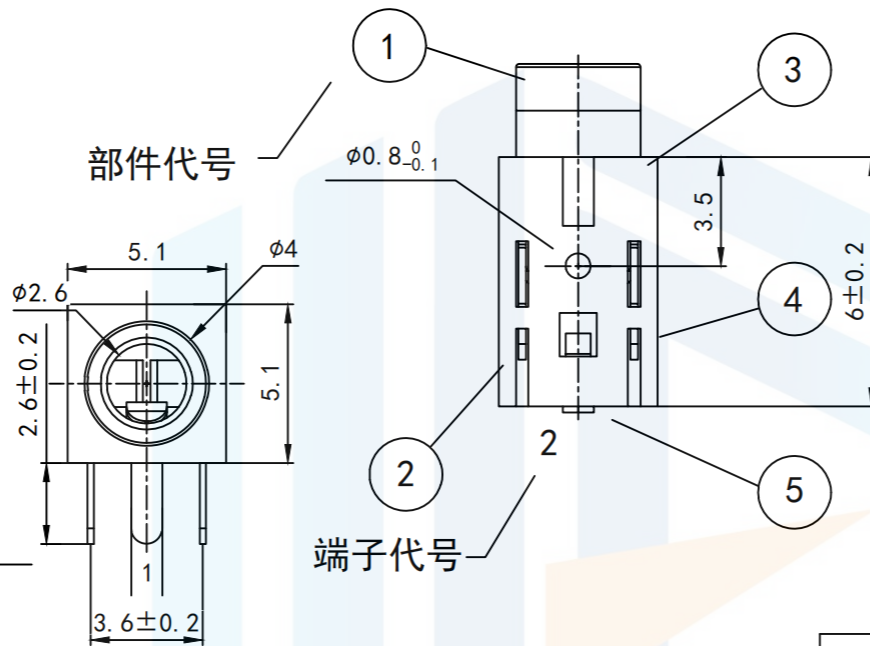
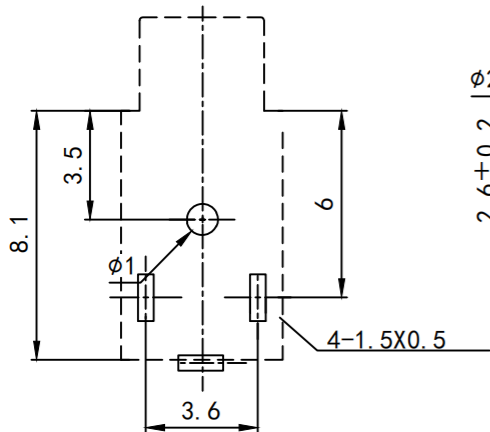
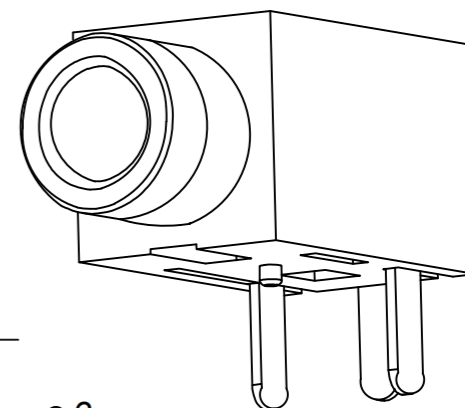
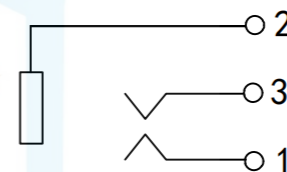


RoHS2.0  
Compliant

线路板开孔尺寸



电路图



序号	名称	数量	材料	备注
5	2# 簧片	1	锰钢带 t=0.2mm	D. Sn/SB
4	簧片 (左)	1	锰钢带 t=0.2mm	D. Sn/SB
3	基座	1	PA66	黑
2	簧片 (右)	1	锰钢带 t=0.2mm	D. Sn/SB
1	轴套	1	H59 黄铜棒 直径4mm	D. Sn/SN

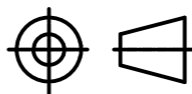
Main technical features :

1. Rated electric load: 30V, 0.2A;
2. Contact resistance: <0.022;
3. Insulation resistance: >100MΩ;
4. Withstand voltage: AC250V (50Hz)min;
5. Insert and dial force: 3-10N;
6. Life: 5,000 times.

TOLERANCE

X. XXX	±0.05
X. XX	±0.15
X. X	±0.20
X.	±0.30
ANGLE	±5.0°

PROTECTON



东莞市恒祺电子科技有限公司

Dongguan Hengqi Electronic Technology Co., Ltd

<https://www.hq-dz.com>

phone:15812872448

TITLE:

耳机插座

PART NO: PJ-210AB

DRAWING NO: 11\*5.1\*5.1

DRAWN:

DATE:

18-10-08

UNIT:  
mm

CHECKED:

DATE:

18-10-08

SCALE:  
FULL

APPROVED:

DATE:

18-10-08

SIZE:  
A4