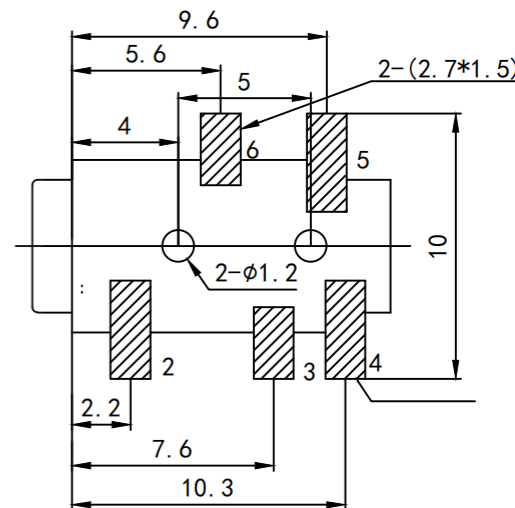
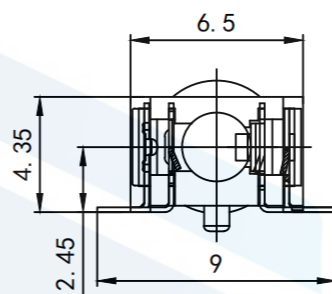
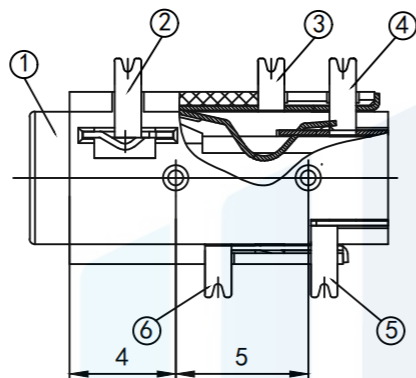
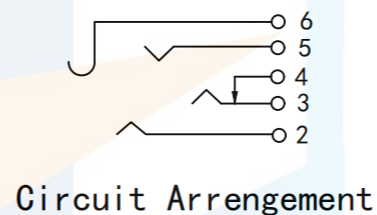


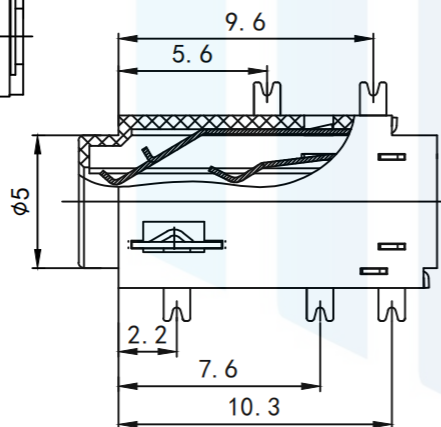
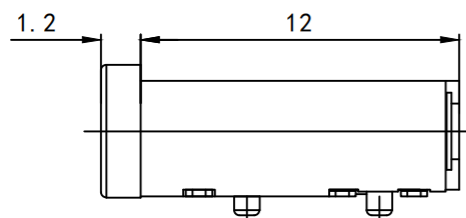
RoHS2.0
Compliant



线路板开孔尺寸



Circuit Arrangement



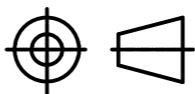
6	6#接触脚	1	QSn6.5-0.1锡青铜带 (Y) δ=0.2mm	Au
5	5#接触脚	1	QSn6.5-0.1锡青铜带 (Y) δ=0.2mm	Au
4	4#接触脚	1	QSn6.5-0.1锡青铜带 (Y) δ=0.2mm	Au
3	3#接触脚	1	QSn6.5-0.1锡青铜带 (Y) δ=0.2mm	Au
2	2#接触脚	1	QSn6.5-0.1锡青铜带 (Y) δ=0.2mm	Au
1	基座	1	PPA	黑
序号	名称	数量	材料	备注

Main Technical
Performance Rated electrical load DC 30V 10.5A
contact resistance $\leq 0.03 \Omega$
Insulation resistance $\geq 100M \Omega$
pressure AC500V (50Hz)/min
insertion and withdrawal force 3-20N
Operating temperature range $-30-70^{\circ}C$
Service life 5000 times

TOLERANCE

X. XXX	± 0.05
X. XX	± 0.15
X. X	± 0.20
X.	± 0.30
ANGLE	$\pm 5.0^{\circ}$

PROTECTON



东莞市恒祺电子科技有限公司

Dongguan Hengqi Electronic Technology Co., Ltd

<https://www.hq-dz.com>

phone: 15812872448

TITLE:

耳机插座

PART NO: PJ-217-5P

DRAWING NO: 13.2*6.5*4.3

DRAWN:

DATE:

18-10-08

UNIT:
mm

CHECKED:

DATE:

18-10-08

SCALE:
FULL

APPROVED:

DATE:

18-10-08

SIZE:
A4