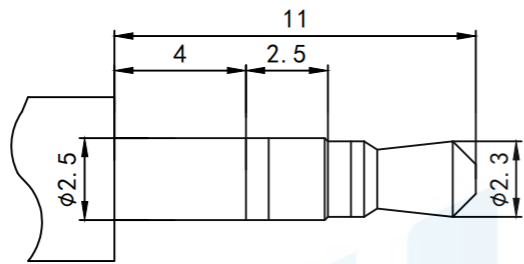
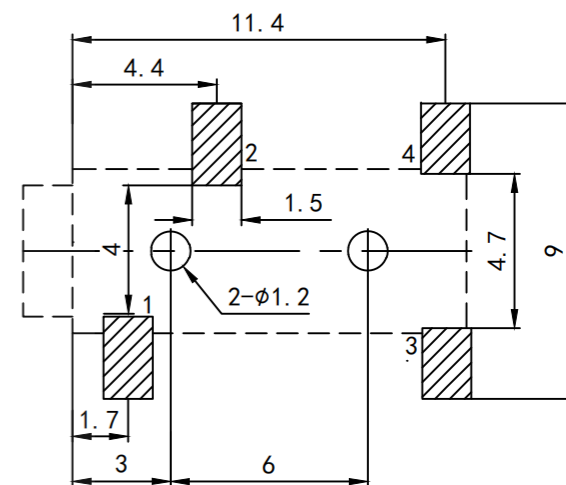
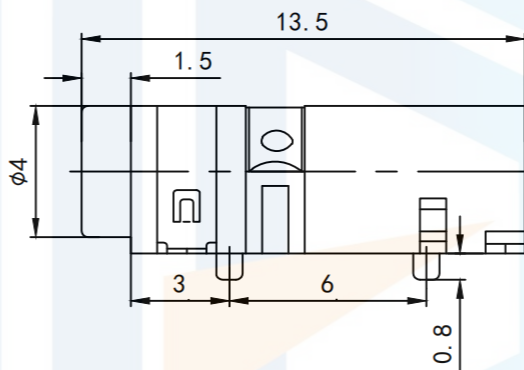
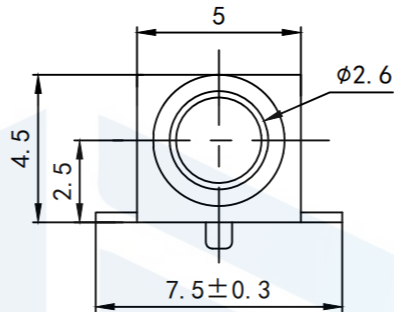


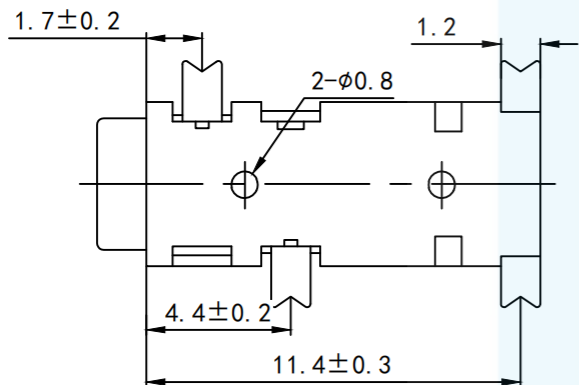
RoHS2.0
Compliant



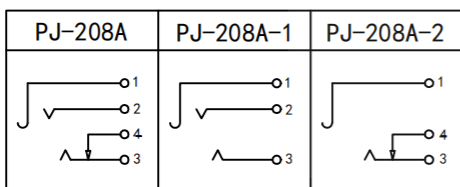
φ2.5mm 3 POLE PLUG



P. C. B LAYOUT MOUNTING PATTERN
(TOP VIEW)



SCHEMATIC



PECIFICATION

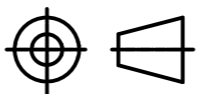
1. Rating DC 30V 0.5A
2. Contact resistance <0.03 Ω
3. Insulation resistance 100M Ω (DC250V)
4. Withstand voltage 500VAC
5. Insertion and extraction force 3-20N;
6. life test 5,000 cycles

5	HOUSING	1	PA9T	
4	CURVE PIECE	1	BRASS	Ag-Plating
3	SPRING	1	PHOSPHOR BRONZE	Ag-Plating
2	SPRING	1	PHOSPHOR BRONZE	Ag-Plating
1	SPRING	1	PHOSPHOR BRONZE	Ag-Plating
NO.	DESCRIPTION	QTY	MATERIAL	PLATING

TOLERANCE

X. XXX	±0.05
X. XX	±0.15
X. X	±0.20
X.	±0.30
ANGLE	±5.0°

PROTECTON



东莞市恒祺电子科技有限公司

Dongguan Hengqi Electronic Technology Co., Ltd

<https://www.hq-dz.com>

phone: 15812872448

TITLE:

耳机插座

PART NO: PJ-208A

DRAWING NO: 13.5*5*4.5

DRAWN:

DATE:

18-10-08

UNIT:
mm

CHECKED:

DATE:

18-10-08

SCALE:
FULL

APPROVED:

DATE:

18-10-08

SIZE:
A4