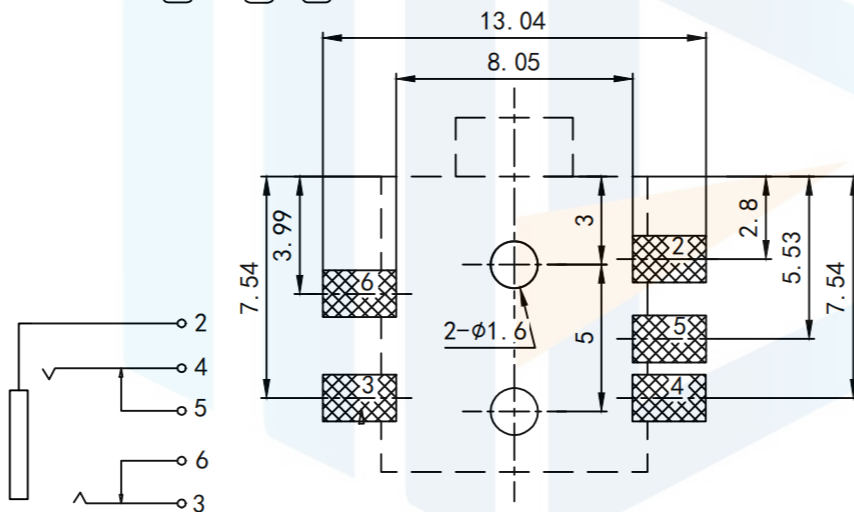
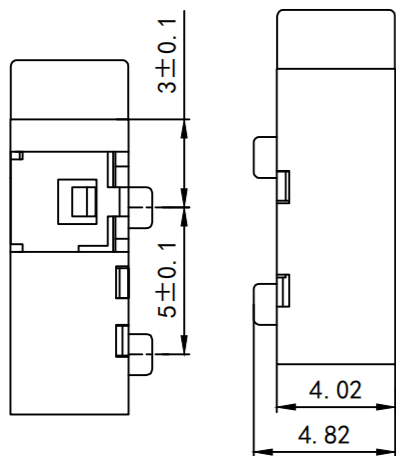
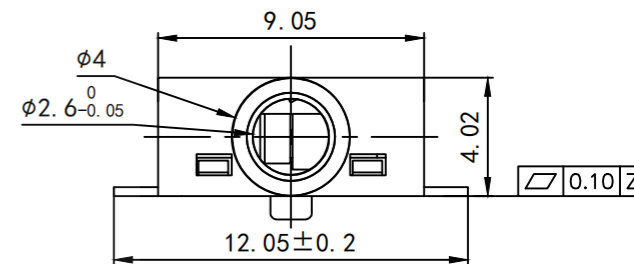
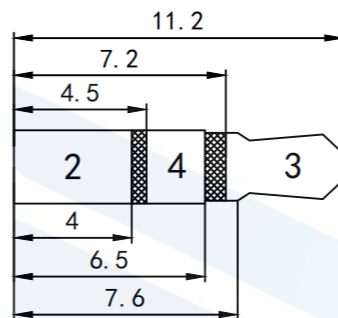
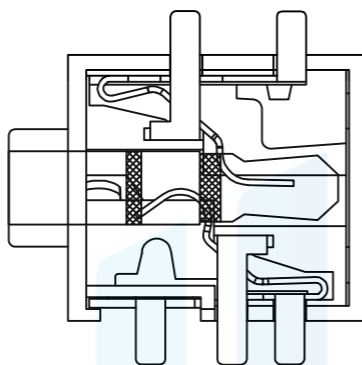
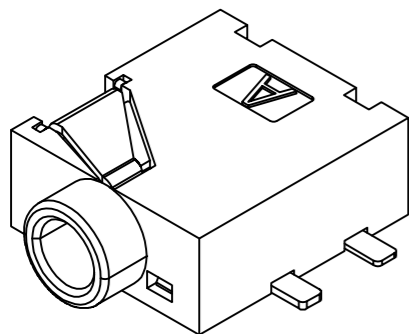
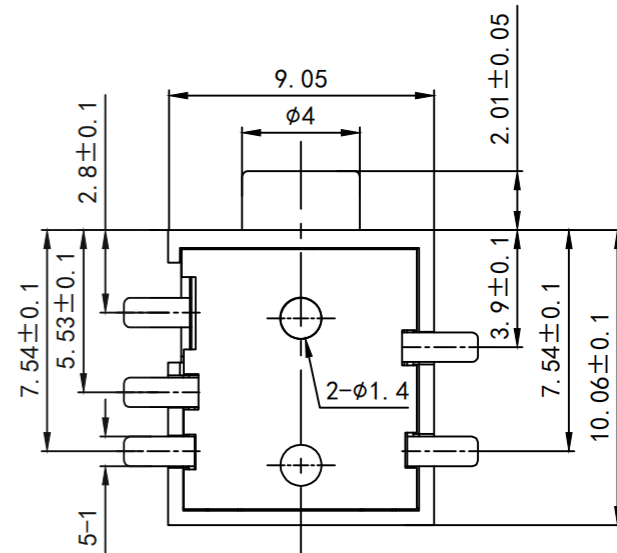


RoHS2.0  
Compliant



P. C. B LAYOUT TOP VIEW



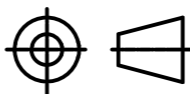
PECIFICATION

1. Rating DC 30V 0.5A
2. Contact resistance <math>< 0.03 \Omega</math>
3. Insulation resistance 100M $\Omega$  (DC250V)
4. Withstand voltage 500VAC
5. Insertion and extraction force 3-20N;
6. life test 5,000 cycles

TOLERANCE

X. XXX	$\pm 0.05$
X. XX	$\pm 0.15$
X. X	$\pm 0.20$
X.	$\pm 0.30$
ANGLE	$\pm 5.0^\circ$

PROTECTON



东莞市恒祺电子科技有限公司  
Dongguan Hengqi Electronic Technology Co., Ltd

<https://www.hq-dz.com>

phone: 15812872448

TITLE:

耳机插座

PART NO: PJ-205

DRAWING NO: 10\*9\*4

DRAWN:

DATE:

18-10-08

UNIT:  
mm

CHECKED:

DATE:

18-10-08

SCALE:  
FULL

APPROVED:

DATE:

18-10-08

SIZE:  
A4