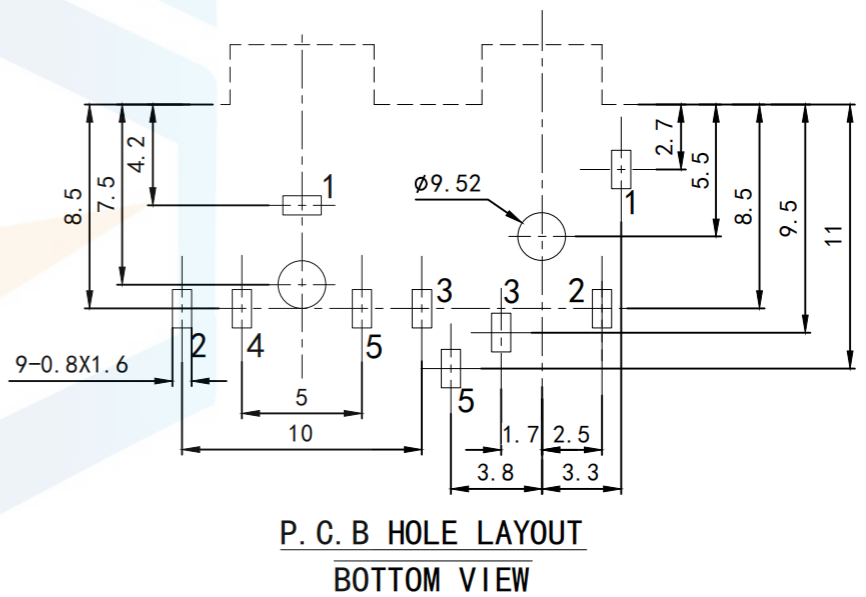
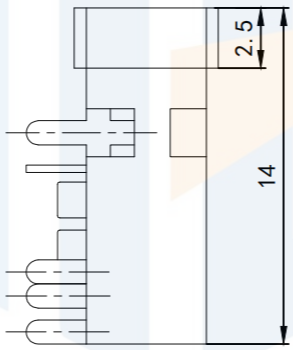
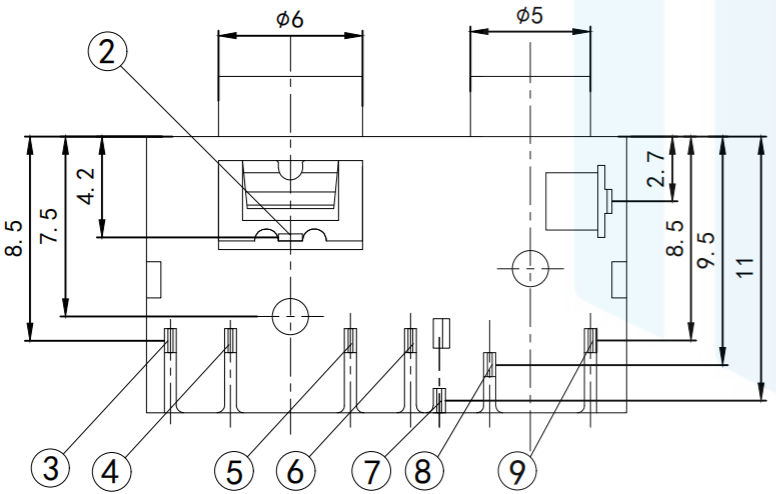
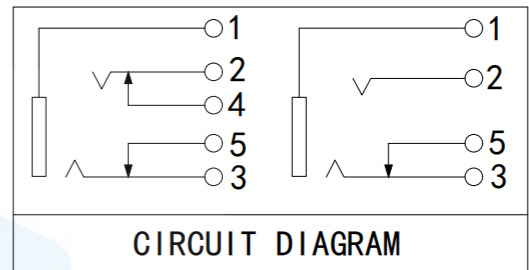
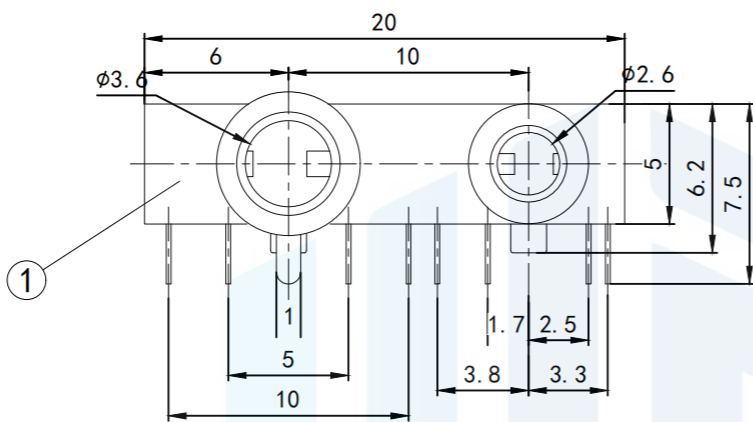

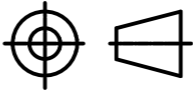


RoHS2.0
Compliant



- Main technical performance**
1. Rated electrical load:
 2. Contact resistance: ≤ 0.032 ; 0.5A30A;
 3. Insulation resistance: $>100M\Omega$
 4. Withstand voltage :AC500V (50Hz)/min;
 5. Insertion and removal force: 3~20N
 6. Life: 5,000 times.

TOLERANCE X. XXX ± 0.05 X. XX ± 0.15 X. X ± 0.20 X. ± 0.30 ANGLE $\pm 5.0^\circ$		东莞市恒祺电子科技有限公司 Dongguan Hengqi Electronic Technology Co., Ltd	
		https://www.hq-dz.com phone:15812872448	
PROTECTON 	TITLE: 耳机插座		PART NO: PJ-357双连
	DRAWN:		DRAWING NO: 20*14*5
	CHECKED:	DATE: 18-10-08	UNIT: mm
APPROVED:	DATE: 18-10-08	SCALE: FULL	
	DATE: 18-10-08	SIZE: A4	