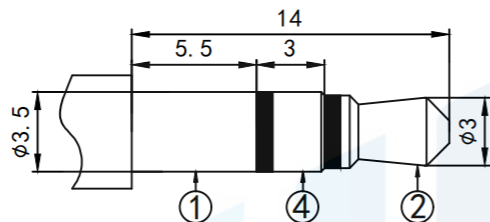
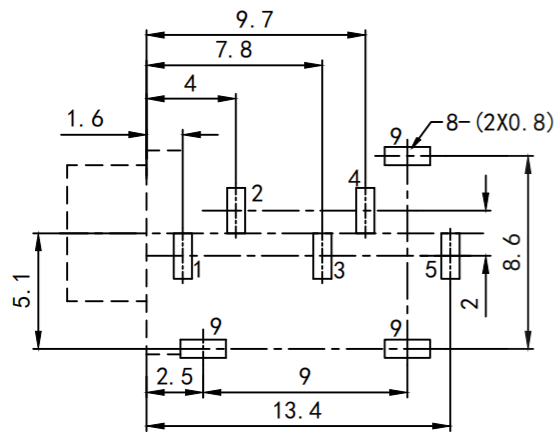


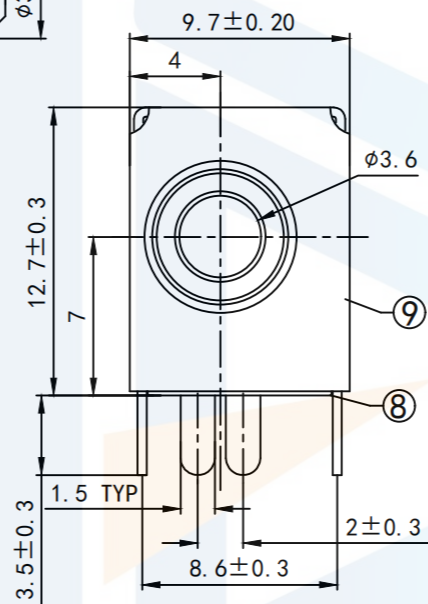
RoHS2.0
Compliant



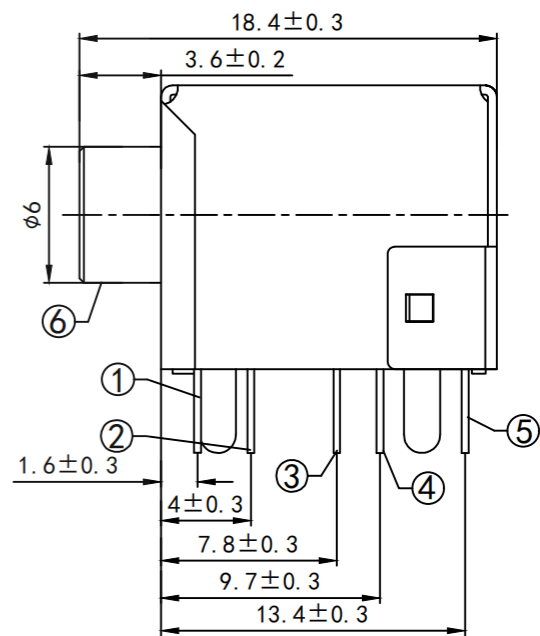
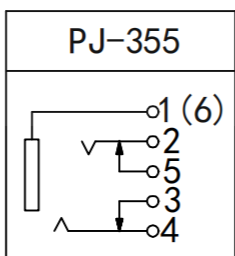
φ3.5mm 3POLE PLUG



P. C. B LAYOUT
TOP VIEW



SCHEMATIC



SPECIFICATION

1. Rating: DC 30V, 0.5A
2. Contact resistance: <30mΩ
3. Insulation resistance: >100MΩ
4. Withstand voltage : 500VAC
5. Insertion and extraction force : 3-20N
6. life test: 5,000 cycles

TOLERANCE			东莞市恒祺电子科技有限公司								
X. XXX	±0.05		Dongguan Hengqi Electronic Technology Co., Ltd								
X. XX	±0.15	https://www.hq-dz.com		phone:15812872448							
X. X	±0.20	耳机插座		PART NO: PJ-355							
X.	±0.30			DRAWING NO: 18.4*9.7*12.7							
ANGLE	±5.0°	PROTECTON 		DRAWN:		DATE:	18-10-08	UNIT:	mm		
				CHECKED:		DATE:	18-10-08	SCALE:	FULL		
				APPROVED:		DATE:	18-10-08	SIZE:	A4		