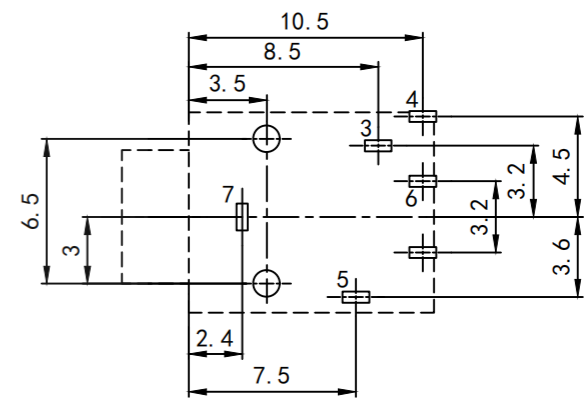
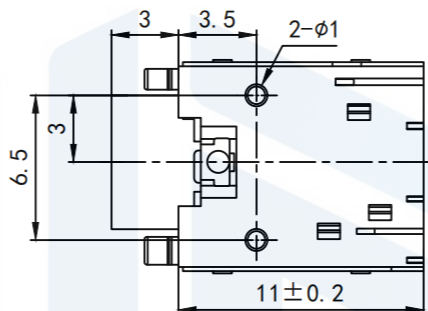
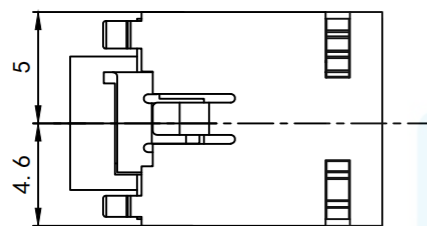
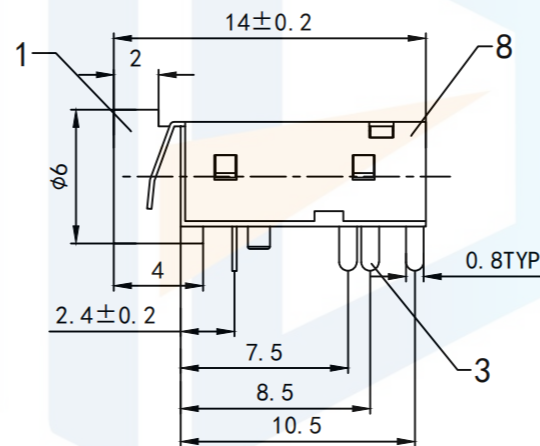
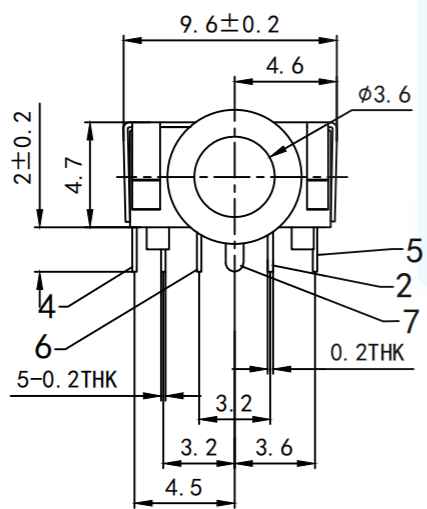


RoHS2.0
Compliant



P. C. B LAYOUT
TOP VIEW



Main technical performance
 Rated electric load DC 30V \ 0.5A
 Contact resistance S0.03Ω
 Insulation resistance 2100MΩ
 Withstand voltage AC500V(50Hz)/min
 Insertion and withdrawal force 3-20N
 Operating temperature range -30-70°C
 Service life 5000 times

SCHEMATIC

PJ-343B	PJ-343B-2	PJ-343B-3	PJ-343B-4	PJ-343B-5

TOLERANCE

X. XXX	±0.05
X. XX	±0.15
X. X	±0.20
X.	±0.30
ANGLE	±5.0°



东莞市恒祺电子科技有限公司
 Dongguan Hengqi Electronic Technology Co., Ltd

<https://www.hq-dz.com>

phone:15812872448

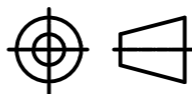
TITLE:

耳机插座

PART NO: PJ-343B

DRAWING NO: 14*9.6*4.7

PROTECTON



DRAWN:

CHECKED:

APPROVED:

DATE:

DATE:

DATE:

18-10-08

18-10-08

18-10-08

UNIT:
mm

SCALE:
FULL

SIZE:
A4