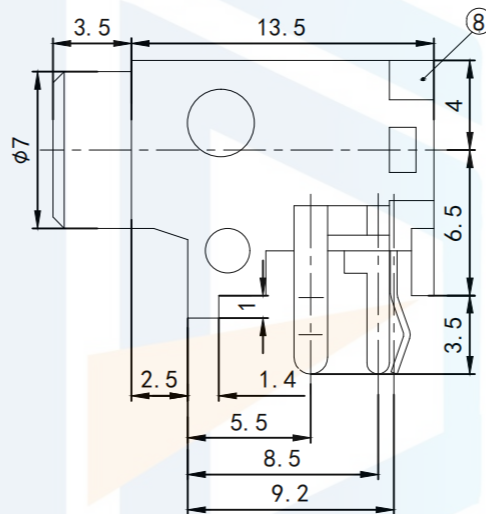
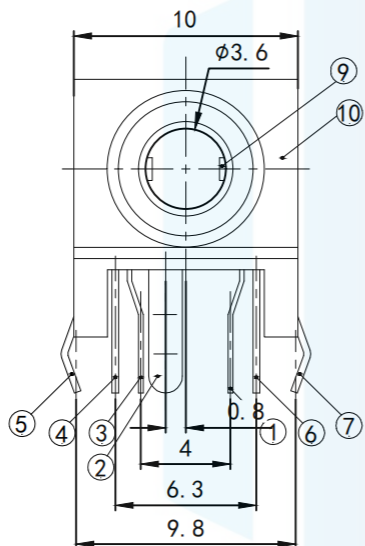
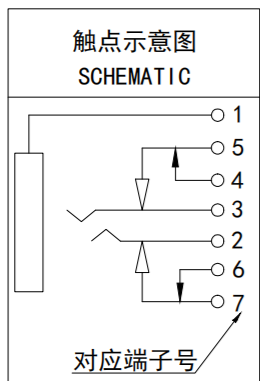
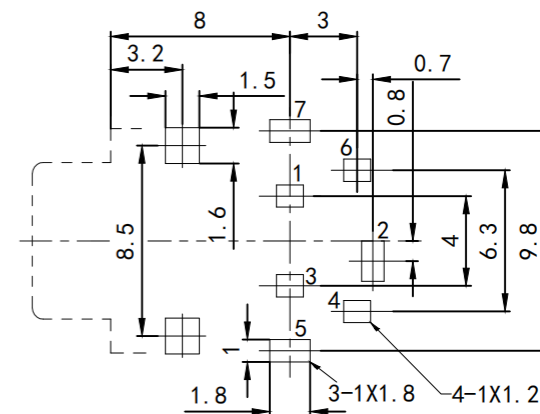



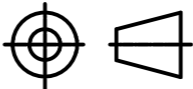
RoHS2.0
Compliant



印制板开孔尺寸 (±0.1)
显示为底面



Main technical performance
 Rated electric load DC 30V \ 0.5A
 Contact resistance $\leq 0.03 \Omega$
 Insulation resistance $\geq 2100 M\Omega$
 Withstand voltage AC500V (50Hz) /min
 Insertion and withdrawal force 3-20N
 Operating temperature range $-30-70^\circ C$
 Service life 5000 times

TOLERANCE	X. XXX	± 0.05		东莞市恒祺电子科技有限公司	
	X. XX	± 0.15		Dongguan Hengqi Electronic Technology Co., Ltd	
X. X	± 0.20		https://www.hq-dz.com		phone: 15812872448
X.	± 0.30		TITLE: 耳机插座		PART NO: PJ-339
ANGLE	$\pm 5.0^\circ$				DRAWING NO: 17*10*10.5
PROTECTON 	DRAWN:		DATE:	18-10-08	UNIT: mm
	CHECKED:		DATE:	18-10-08	SCALE: FULL
	APPROVED:		DATE:	18-10-08	SIZE: A4