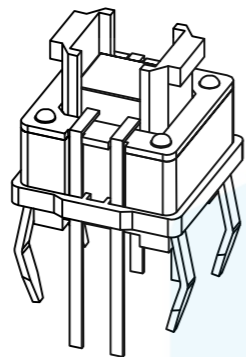
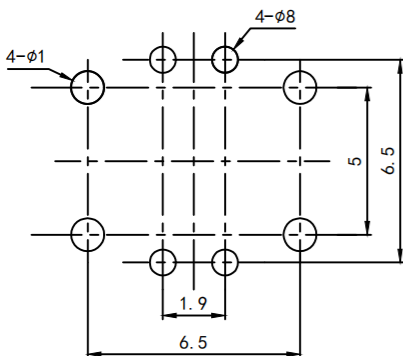


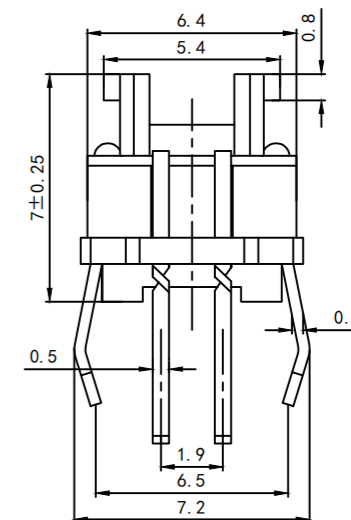
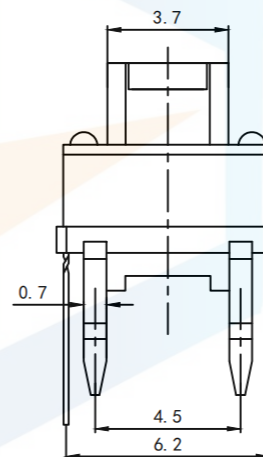
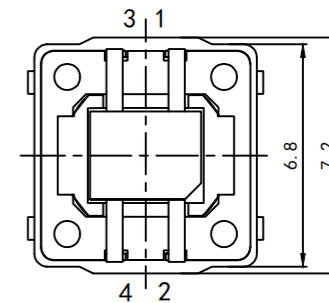
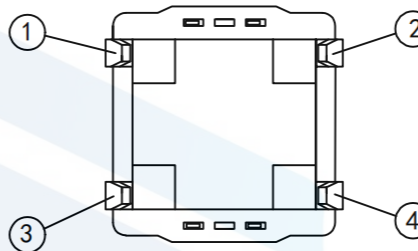
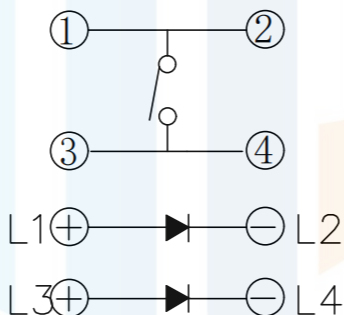
RoHS2.0
Compliant



P. C. B. Layout



Circuit



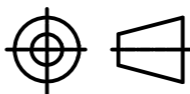
NOTES:

1. RATING: 12VDC 50mA
2. CONTACT RESISTANCE: 100mΩ Max
3. INSULATION RESISTANCE: 100MΩ 250VDC FOR 1MIN
4. DIELECTRIC STRENGTH: 250VAC(50/60Hz) FOR 1MIN
5. LIFE TEST: 100,000 CYCLES
6. OPERATION FORCE: 160+50g
7. TRAVEL: 0.25±0.1mm

TOLERANCE

X. XXX	±0.05
X. XX	±0.15
X. X	±0.20
X.	±0.30
ANGLE	±5.0°

PROTECTON



东莞市恒祺电子科技有限公司

Dongguan Hengqi Electronic Technology Co., Ltd

<https://www.hq-dz.com>

phone: 15812872448

TITLE:

带灯轻触开关

PART NO: HQ-TS-H002L

DRAWING NO: 7.2*7*6.4

DRAWN:

DATE:

18-10-08

UNIT:
mm

CHECKED:

DATE:

18-10-08

SCALE:
FULL

APPROVED:

DATE:

18-10-08

SIZE:
A4