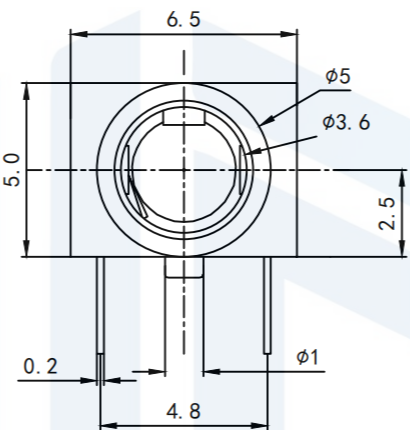
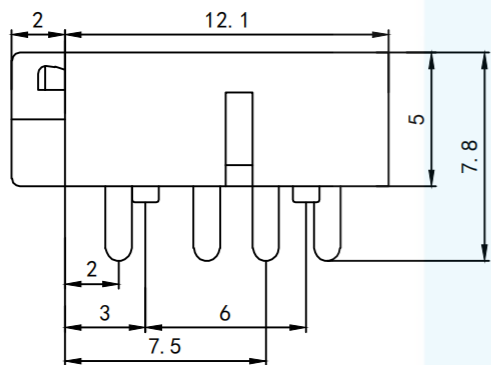
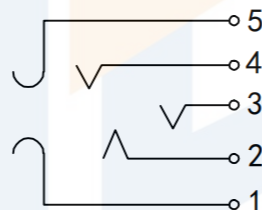
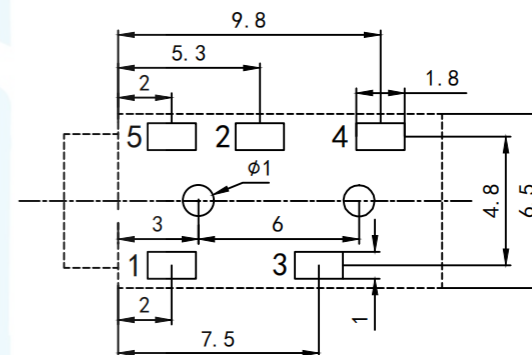


RoHS2.0
Compliant ✓



P. C. B LAY OUT TOP VIEW



Main technical performance

1. Rated electrical load: 30V 0.2A;
2. Contact resistance: <math><0.03\Omega</math>;
3. Insulation resistance: >100M Ω ;
4. Voltage: AC250V (50Hz)nin;
5. Insertion and withdrawal force: 5-15N;
6. Life: 5000 times

Main technical requirements

1. No linear tolerance:
0.0-10.0mm \pm 0.10mm
10.0-20.0m \pm 0.15mm
20.0-50.0mm \pm 0.20mm
2. Appearance should be good, no corrosion, cracks, poor plating and other phenomena.

TOLERANCE X. XXX \pm 0.05 X. XX \pm 0.15 X. X \pm 0.20 X. \pm 0.30 ANGLE \pm 5.0°		东莞市恒祺电子科技有限公司 Dongguan Hengqi Electronic Technology Co., Ltd		
		https://www.hq-dz.com phone:15812872448		
PROTECTON 	TITLE: 耳机插座		PART NO: PJ-327FA	
			DRAWING NO: 14.1*6.5*5.0	
	DRAWN:		DATE:	18-10-08
CHECKED:		DATE:	18-10-08	SCALE: FULL
APPROVED:		DATE:	18-10-08	SIZE: A4