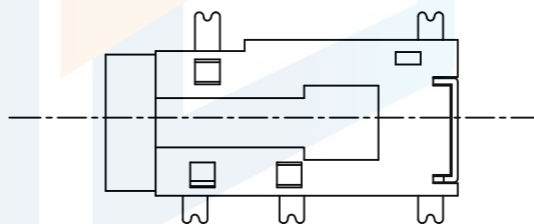
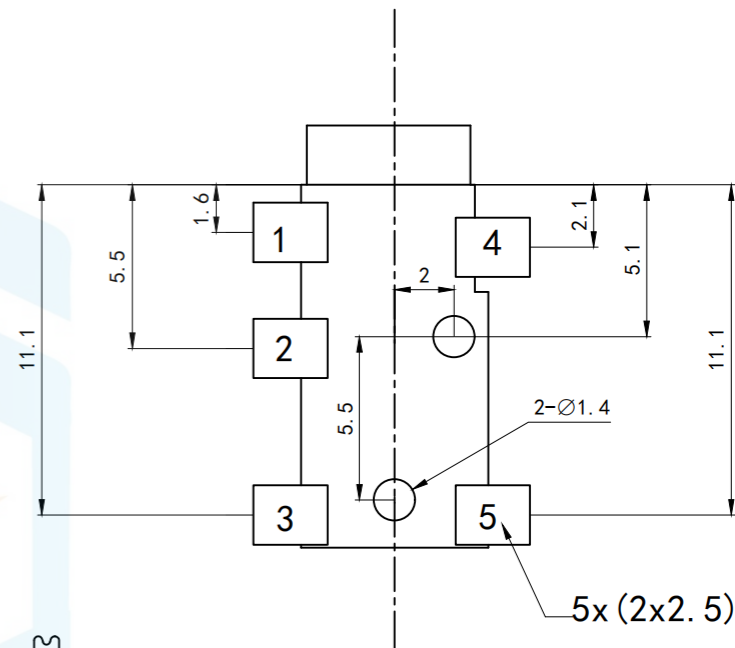
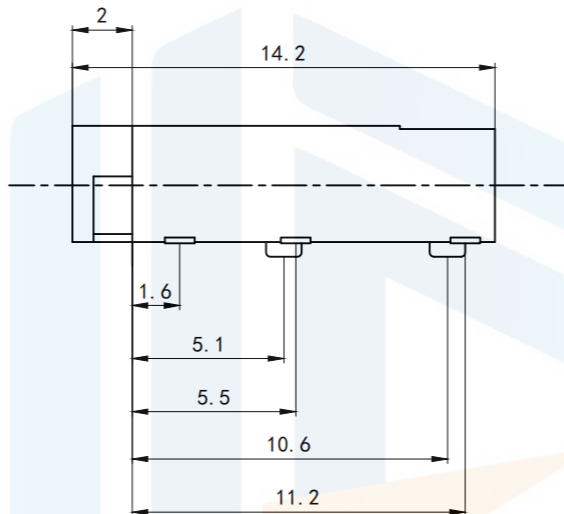
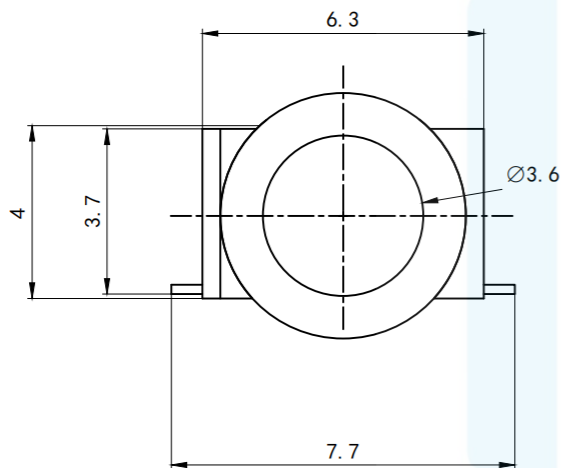
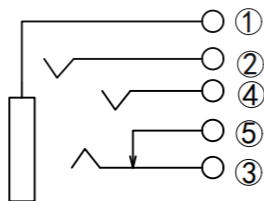


RoHS2.0  
Compliant



电路原理图



Main technical performance

1. Rated electrical load: DC 30V 0.5A;
2. Contact resistance: < 0.03Ω;
3. Insulation resistance: >100MΩ;
4. Withstand voltage: AC500V (50Hz)/min;
5. Insertion and withdrawal force: 5~25N;
6. Life: 5,000 times.

<b>TOLERANCE</b> X. XXX ±0.05 X. XX ±0.15 X. X ±0.20 X. ±0.30 ANGLE ±5.0°		<b>东莞市恒祺电子科技有限公司</b> Dongguan Hengqi Electronic Technology Co., Ltd	
		<a href="https://www.hq-dz.com">https://www.hq-dz.com</a> phone:15812872448	
<b>PROTECTON</b> 	<b>TITLE:</b> 耳机插座		<b>PART NO:</b> PJ-381-5P
	<b>DRAWN:</b>		<b>DRAWING NO:</b> 14.2*6.3*4
	<b>CHECKED:</b>	<b>DATE:</b> 18-10-08	<b>UNIT:</b> mm
<b>APPROVED:</b>	<b>DATE:</b> 18-10-08	<b>SCALE:</b> FULL	<b>SIZE:</b> A4