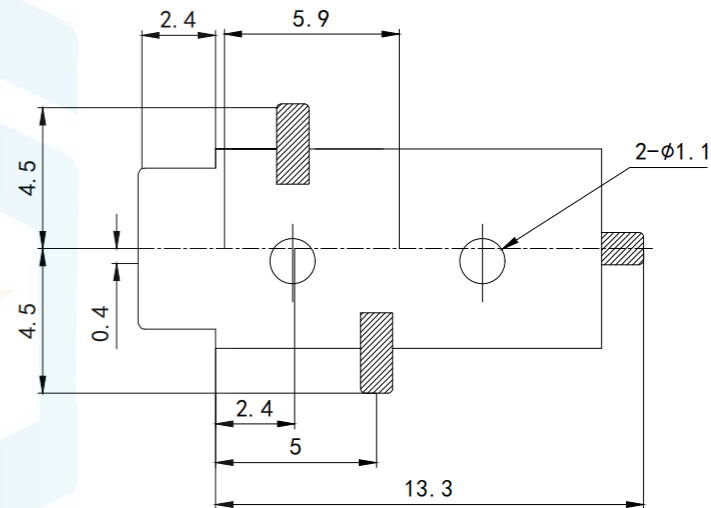
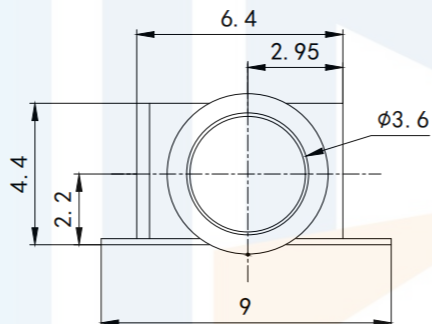
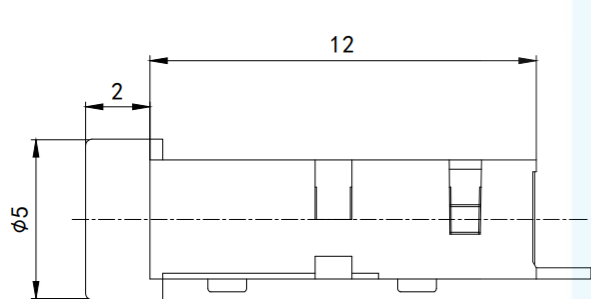


RoHS2.0  
Compliant

P. C. B LAYOUT TOP VIEW



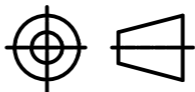
SPECIFICATION

1. Rating: DC 30V 0.5A;
2. Contact resistance:  $\leq 0.03 \Omega$
3. Insulation resistance:  $\geq 100m\Omega$  (DC250V);
4. Withstand voltage: 500VAC;
5. Insertion and extraction force: 3-20N,;
6. life test: 5,000 cycles.

TOLERANCE

|        |                 |
|--------|-----------------|
| X. XXX | $\pm 0.05$      |
| X. XX  | $\pm 0.15$      |
| X. X   | $\pm 0.20$      |
| X.     | $\pm 0.30$      |
| ANGLE  | $\pm 5.0^\circ$ |

PROTECTON



东莞市恒祺电子科技有限公司  
Dongguan Hengqi Electronic Technology Co., Ltd

<https://www.hq-dz.com>

phone: 15812872448

TITLE:

耳机插座

PART NO: PJ-380-3P

DRAWING NO: 14\*6.4\*4.4

DRAWN:

DATE:

18-10-08

UNIT:  
mm

CHECKED:

DATE:

18-10-08

SCALE:  
FULL

APPROVED:

DATE:

18-10-08

SIZE:  
A4