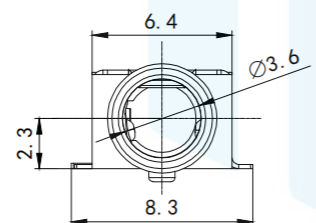
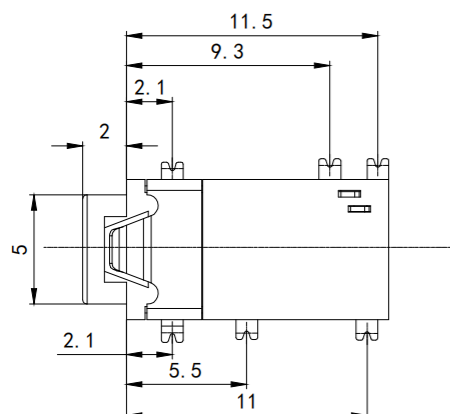
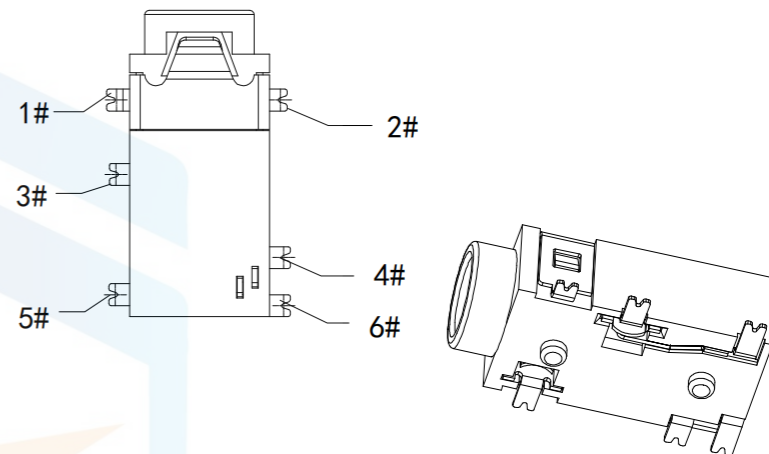
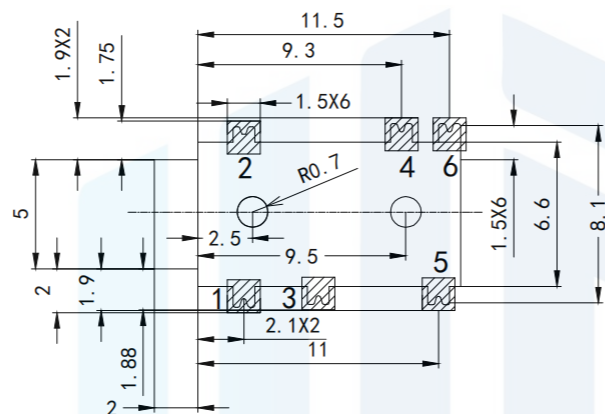
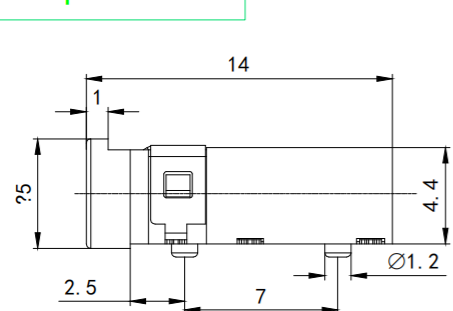
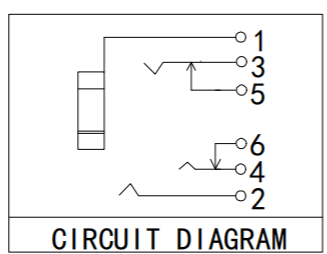
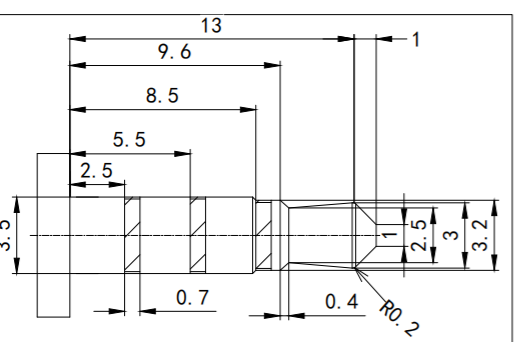



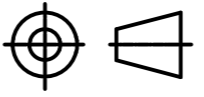
**RoHS2.0**  
Compliant



PCB

- 1.3. TEMPERATURE: -25° °C TO +85°C
- 2.0) ELECTRICAL CHARACTERISTIC
  - 2.1. CONTACT RESISTANCE: 50m MAX. AFTER 100m
  - 2.2. INSULATION RESISTANCE 100 M MIN.
  - 2.3. DIELECTRIC WITHSTANDING VOLTAGE: 500 VAC AT SEA LEVEL
- 3.0) MECHANICAL :
  - 3.1. DURABILITY , MINIMUM: MATED 5000 CYCLES WITHOUT DEGRADING ELECTRICAL
  - 3.2. INITIAL: MATING FORCE: 300g~2000g. UNMATING FORCE: 200g~2000g
  - 3.3. AFTER LIFE TESTING: MATING FORCE: 300g~2000g. UNMATING FORCE: 200g~2000g



|   |           |        |   |  |          |  |
|---|-----------|--------|---|--|----------|--|
| TOLERANCE   | X. XXX    | ±0.05  |  | 东莞市恒祺电子科技有限公司<br>Dongguan Hengqi Electronic Technology Co., Ltd              |          |  |
|   | X. XX     | ±0.15  |   | <a href="https://www.hq-dz.com">https://www.hq-dz.com</a> phone: 15812872448 |          |  |
| X. X      ±0.20<br>X.        ±0.30<br>ANGLE    ±5.0°                                  | TITLE:    |        | PART NO: PJ-342双柱长头   |  |          |  |
|   | 耳机插座      |        | DRAWING NO: 14*6.4*4.6  |  |          |  |
|   | PROTECTON | DRAWN: | DATE:   | 18-10-08   | UNIT: mm |  |
|  | CHECKED:  | DATE:  | 18-10-08  | SCALE: FULL  |          |  |
|   | APPROVED: | DATE:  | 18-10-08  | SIZE: A4   |          |  |