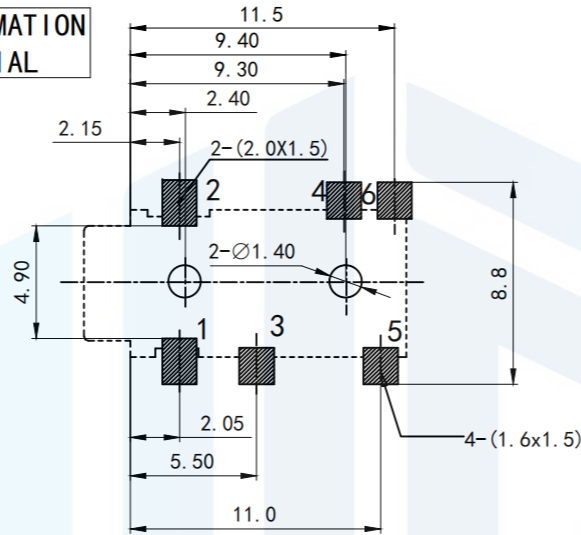
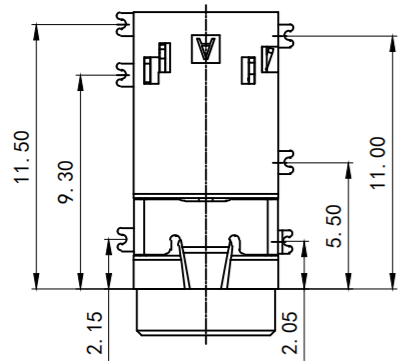
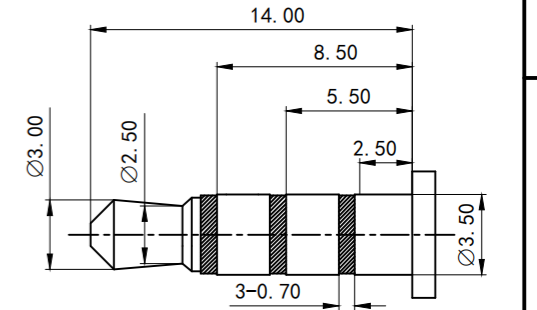
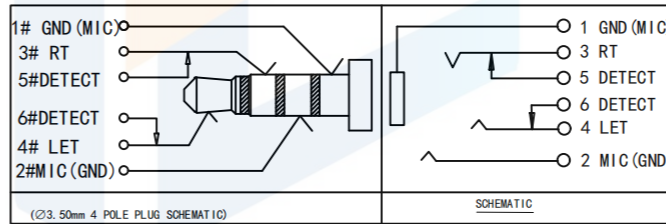
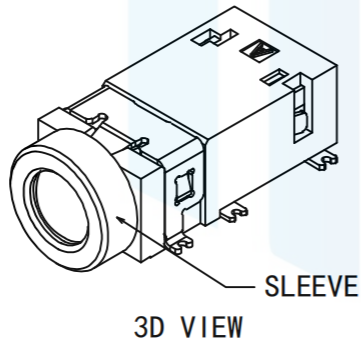
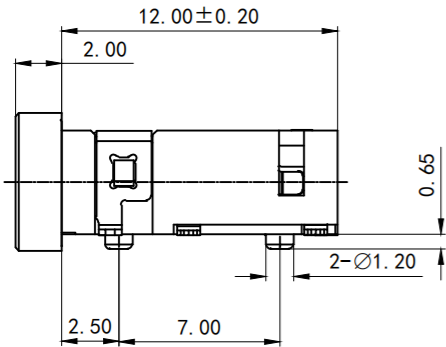


**RoHS2.0**  
Compliant

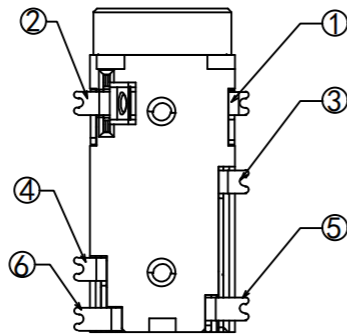
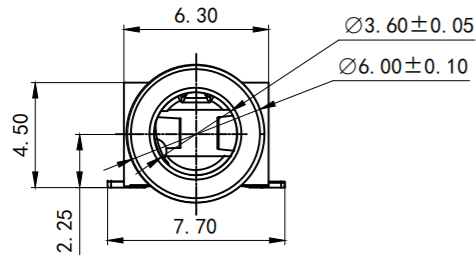
PROPRIETARY INFORMATION  
COMPANY CONFIDENTIAL



- CONTACT CURRENT RATING: 1A.
- CONTACT RESISTANCE: 30 mΩ MAX. ;
- INSULATION RESISTANCE: 100MΩ MIN. ;
- DIELECTRIC WITHSTANDING: 500V AC MIN. ;
- DURABILITY: 5,000 CYCLES MIN. ;
- CONNECTOR MATING FORCES: 29.4N MAX. ;
- CONNECTOR UNMATING FORCES: 2.94N MIN. ;



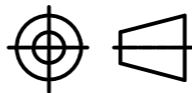
(Ø3.50mm 4 POLE PLUG DETAIL DRAWING)



**TOLERANCE**

X. XXX	±0.05
X. XX	±0.15
X. X	±0.20
X.	±0.30
ANGLE	±5.0°

**PROTECTON**



东莞市恒祺电子科技有限公司  
Dongguan Hengqi Electronic Technology Co., Ltd

<https://www.hq-dz.com>

phone:15812872448

TITLE:

耳机插座

PART NO: PJ-342H

DRAWING NO: 12\*6.3\*4.5

DRAWN:

DATE: 18-10-08

UNIT:  
mm

CHECKED:

DATE: 18-10-08

SCALE:  
FULL

APPROVED:

DATE: 18-10-08

SIZE:  
A4