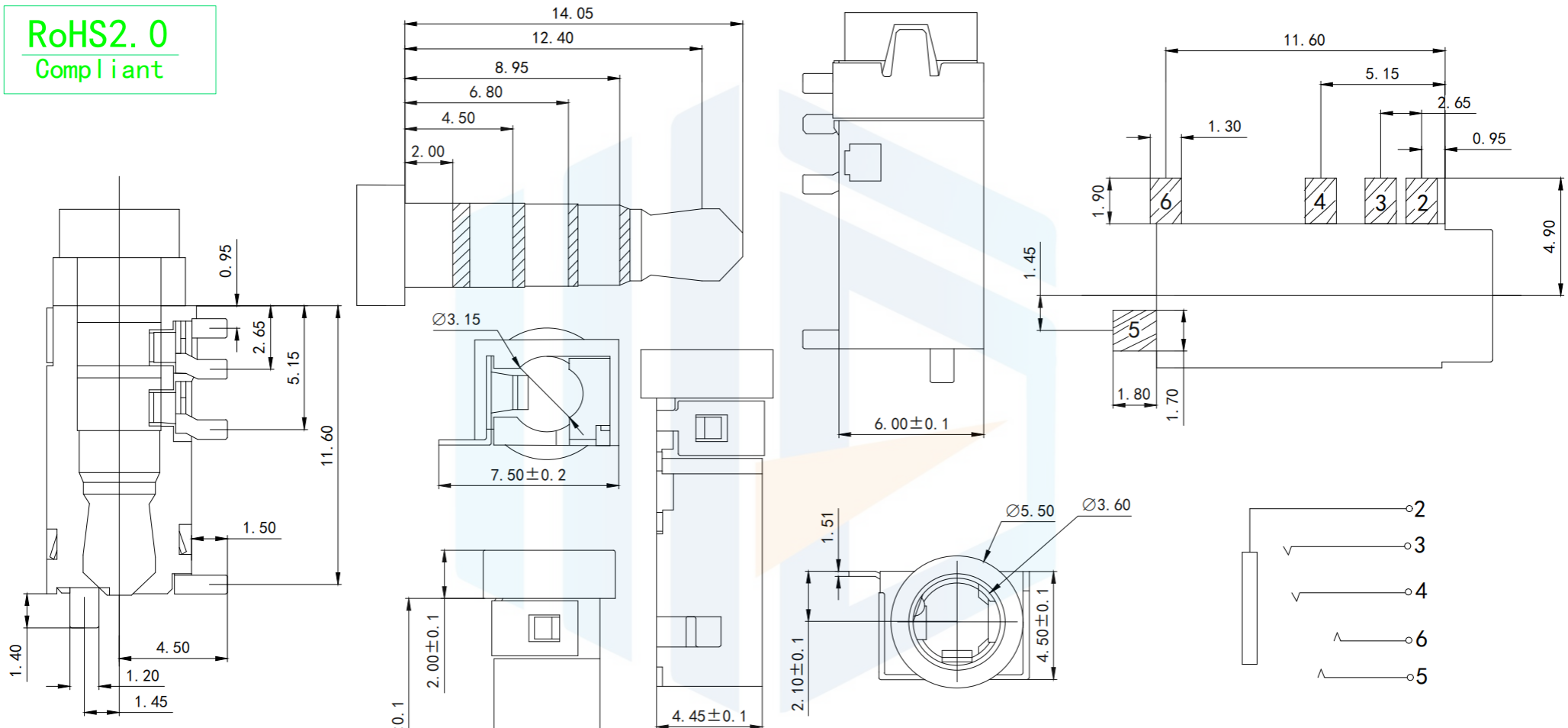


RoHS2.0  
Compliant



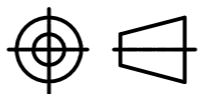
**SPECIFICATION**

1. Rating : DC 30V 0.5A
2. Contact resistance : <30mΩ
3. Insulation resistance : >100MΩ
4. Withstand voltage : 500VAC
5. Insertion and extraction force: 3-30N
6. life test : 5,000 cycles

**TOLERANCE**

|        |       |
|--------|-------|
| X. XXX | ±0.05 |
| X. XX  | ±0.15 |
| X. X   | ±0.20 |
| X.     | ±0.30 |
| ANGLE  | ±5.0° |

**PROTECTON**



东莞市恒祺电子科技有限公司  
Dongguan Hengqi Electronic Technology Co., Ltd

<https://www.hq-dz.com>

phone:15812872448

**TITLE:**

耳机插座

PART NO: PJ-342G

DRAWING NO: 14\*6\*4.5

**DRAWN:**

**DATE:**

18-10-08

**UNIT:**  
mm

**CHECKED:**

**DATE:**

18-10-08

**SCALE:**  
FULL

**APPROVED:**

**DATE:**

18-10-08

**SIZE:**  
A4