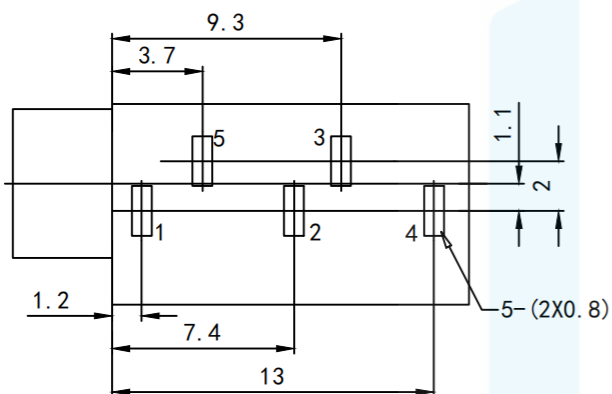
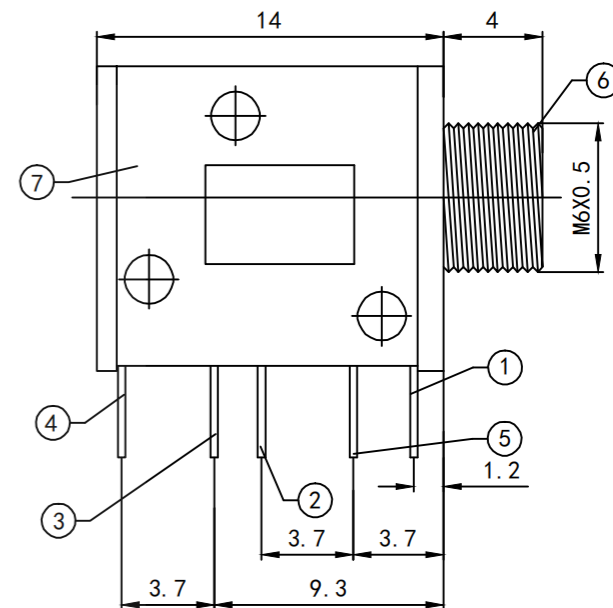
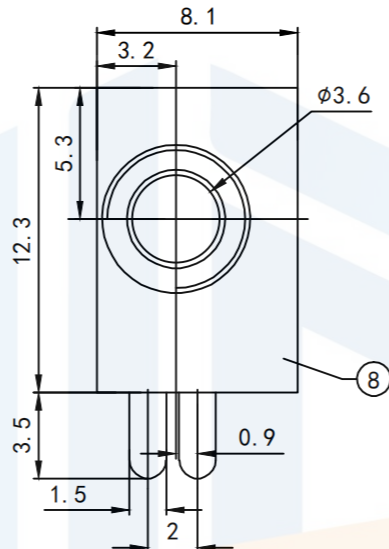
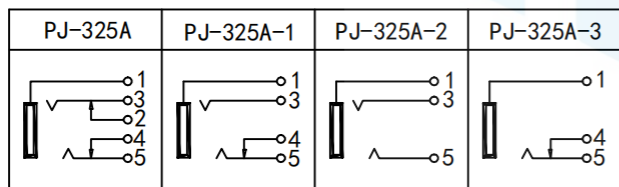


RoHS2.0
Compliant

P. C. B
LAYOUT



SCHEMATIC



1	HOUSING	1	PBT/PA66	Ni-Plating
1	COVER	1	PBT/PA66	Ag-Plating
1	AXIS SUPPORT	1	H59 BRASS	Ag-Plating
1	SPRING OIECE	1	PHOSPHOR BRONZE	Ag-Plating
1	CURVE PIECE	1	H62 BRASS	Ag-Plating
1	SPRING OIECE	1	PHOSPHOR BRONZE	Ag-Plating
1	CURVE PIECE	1	H62 BRASS	Ag-Plating
1	DLAT PIECE	1	H62 BRASS	Ag-Plating
NO.	DESCRIPTION	QTY	MATERIAL	PLATING

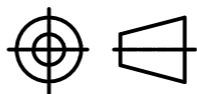
SPECIFICATION

- Rating : DC 30V 0.5A;
- Contact resistance: $S0.03\Omega$;
- Insulation resistance: $\geq 100M\Omega$ (DC250V);
- Withstand voltage: 500VAC ;
- Insertion and extraction force: 3-20N;
- life test: 5,000 cycles

TOLERANCE

X. XXX	± 0.05
X. XX	± 0.15
X. X	± 0.20
X.	± 0.30
ANGLE	$\pm 5.0^\circ$

PROTECTON



东莞市恒祺电子科技有限公司

Dongguan Hengqi Electronic Technology Co., Ltd

<https://www.hq-dz.com>

phone:15812872448

TITLE:

耳机插座

PART NO: PJ-325M

DRAWING NO: 18*8. 1*12. 3

DRAWN:

DATE:

18-10-08

UNIT:
mm

CHECKED:

DATE:

18-10-08

SCALE:
FULL

APPROVED:

DATE:

18-10-08

SIZE:
A4