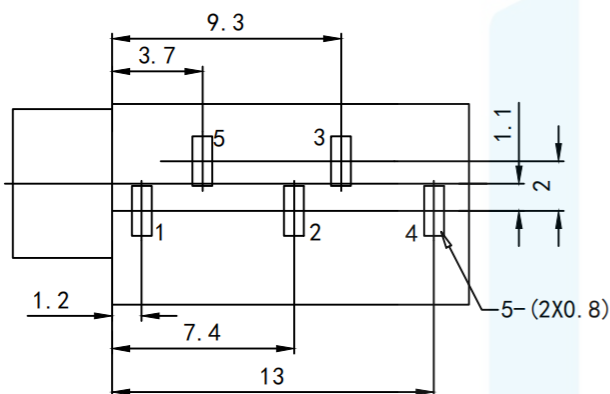
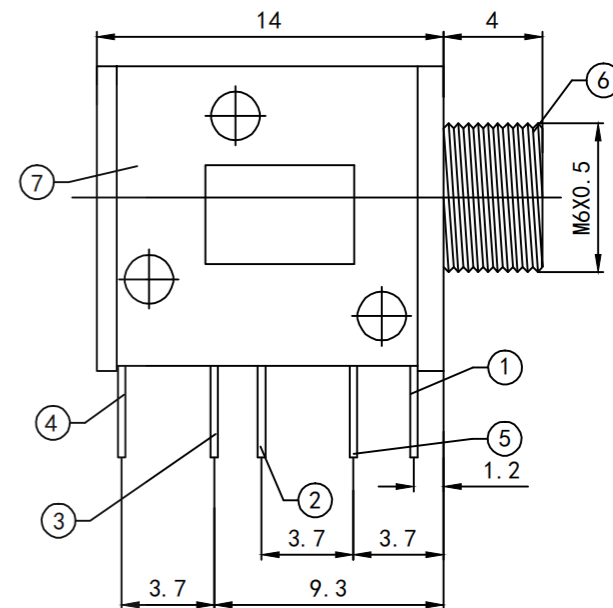
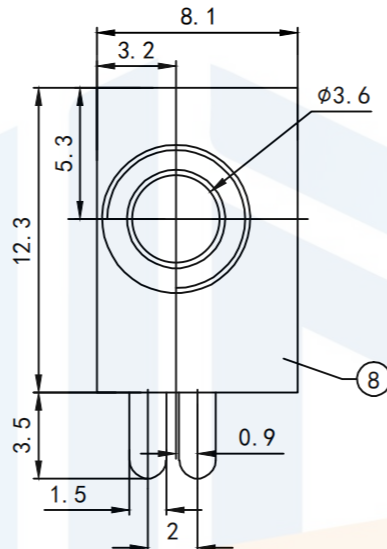
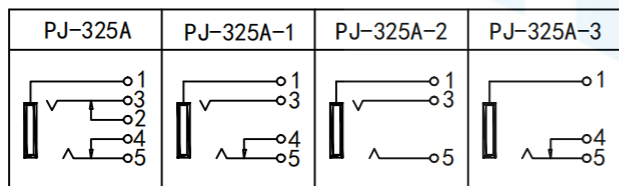


RoHS2.0  
Compliant

P. C. B  
LAYOUT



SCHEMATIC



NO.	DESCRIPTION	QTY	MATERIAL	PLATING
1	HOUSING	1	PBT/PA66	Ni-Plating
1	COVER	1	PBT/PA66	Ag-Plating
1	AXIS SUPPORT	1	H59 BRASS	Ag-Plating
1	SPRING OIECE	1	PHOSPHOR BRONZE	Ag-Plating
1	CURVE PIECE	1	H62 BRASS	Ag-Plating
1	SPRING OIECE	1	PHOSPHOR BRONZE	Ag-Plating
1	CURVE PIECE	1	H62 BRASS	Ag-Plating
1	DLAT PIECE	1	H62 BRASS	Ag-Plating

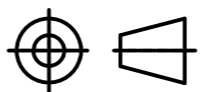
SPECIFICATION

1. Rating : DC 30V 0.5A;
2. Contact resistance:  $S0.03\Omega$ ;
3. Insulation resistance:  $\geq 100M\Omega$  (DC250V);
4. Withstand voltage: 500VAC ;
5. Insertion and extraction force: 3-20N;
6. life test: 5,000 cycles

TOLERANCE

X. XXX	$\pm 0.05$
X. XX	$\pm 0.15$
X. X	$\pm 0.20$
X.	$\pm 0.30$
ANGLE	$\pm 5.0^\circ$

PROTECTON



东莞市恒祺电子科技有限公司  
Dongguan Hengqi Electronic Technology Co., Ltd

<https://www.hq-dz.com> phone:15812872448

TITLE: 耳机插座		PART NO: PJ-325DM	
		DRAWING NO: 18*8.1*12.3	
DRAWN:		DATE:	18-10-08
CHECKED:		DATE:	18-10-08
APPROVED:		DATE:	18-10-08
		UNIT:	mm
		SCALE:	FULL
		SIZE:	A4