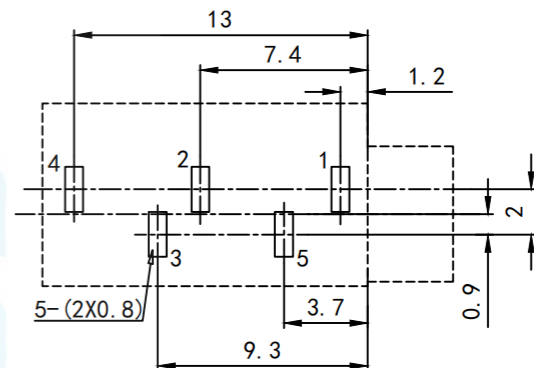
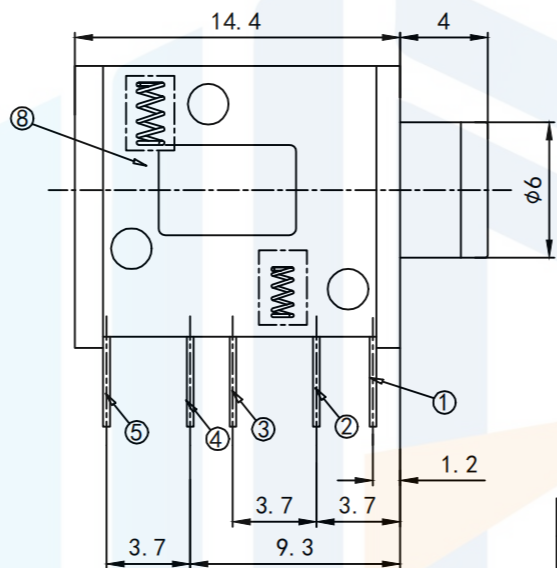
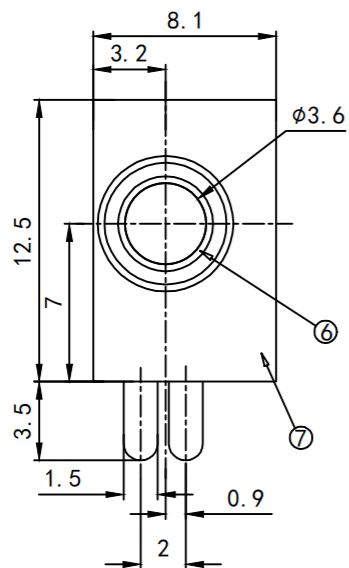
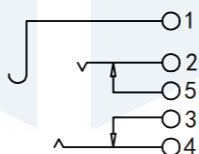


RoHS2.0
Compliant



SCHMATIC



8	后盖	1	PBT(4815)	红OR绿
7	基座	1	PBT(4815)	红OR绿
6	轴套	1	H59黄铜	镍
5	开关静片5	1	黄铜T0.3	银
4	右声道弹片	1	黄铜T0.3	银
3	开关静片3	1	黄铜T0.3	银
2	左声道弹片	1	黄铜T0.25	银
1	接地PIN脚	1	黄铜T0.3	银
序号	名称	数量	材料	镀涂

Main technical requirements

1. No linear tolerance:

- 0.0-10.0mm ±0.10mm
- 10.0-20.0mm ±0.15mm
- 20.0-50.0mm ±0.20mm

2. Appearance should be good, no corrosion, cracks, poor plating and other phenomena.

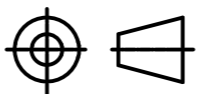
Main technical performance

- 1. Rated electrical load :30V 0.2A;
- 2. Contact resistance: <0.032;
- 3. Insulation resistance: 100MΩ;
- 4. Withstand voltage AC250V (50Hz)min;
- 5. Insert and remove force 3-15N;
- 6. Life egg 5,000 times.

TOLERANCE

X. XXX	±0.05
X. XX	±0.15
X. X	±0.20
X.	±0.30
ANGLE	±5.0°

PROTECTON



东莞市恒祺电子科技有限公司
Dongguan Hengqi Electronic Technology Co., Ltd

<https://www.hq-dz.com>

phone:15812872448

TITLE:

耳机插座

PART NO: PJ-325B

DRAWING NO: 18*8.1*12.5

DRAWN:

CHECKED:

APPROVED:

DATE:

DATE:

DATE:

18-10-08

18-10-08

18-10-08

UNIT:
mm

SCALE:
FULL

SIZE:
A4