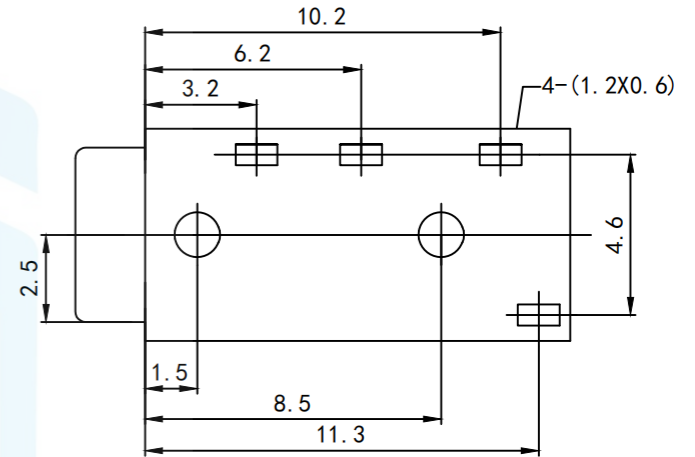
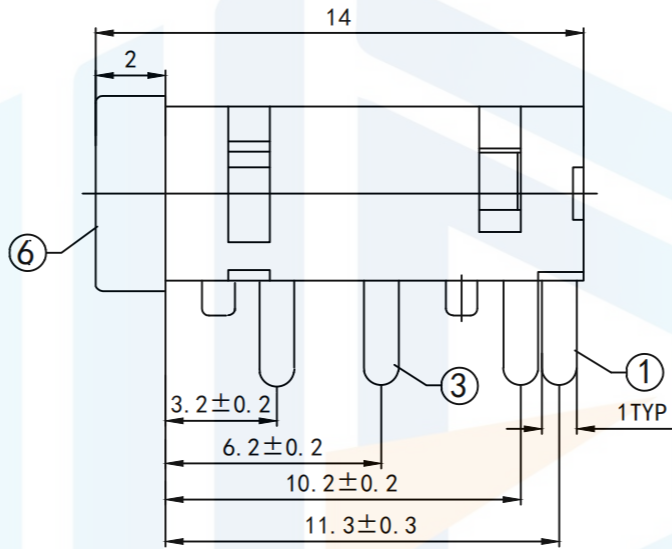
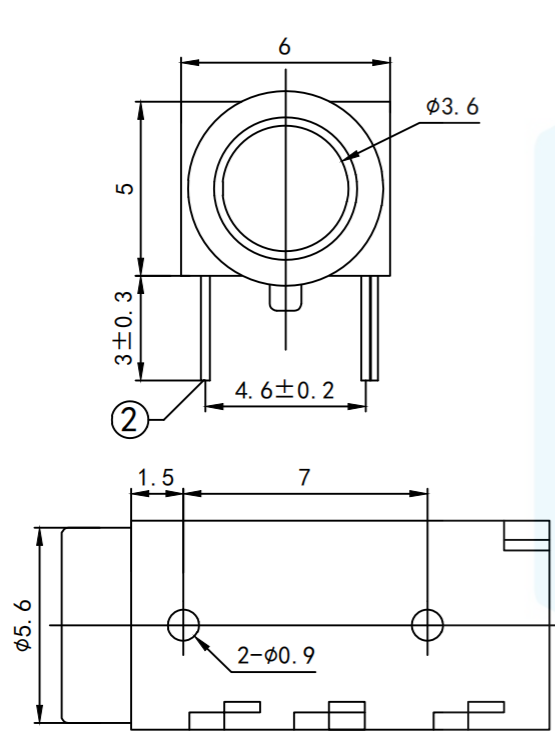
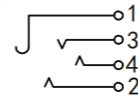


RoHS2.0
Compliant ✓



SCHMATIC



序号	名称	数量	材料	备注
1	轴套	1	H65黄铜棒	金
1	接触簧片	3	H62 磷铜带=0.2mm	银
1	基座	1	PPA	黑色

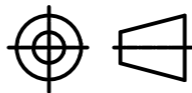
Main technical performance

1. Rated electrical load: 30V.0.5A;
2. Contact resistance: < 0.03Ω;
3. Absolute edge resistance: >100MΩ;
4. Withstand voltage: AC500V (50Hz) /min
5. Insertion and removal force: 3~20N
6. Life: 5,000 times.

TOLERANCE

X. XXX	±0.05
X. XX	±0.15
X. X	±0.20
X.	±0.30
ANGLE	±5.0°

PROTECTON



东莞市恒祺电子科技有限公司

Dongguan Hengqi Electronic Technology Co., Ltd

<https://www.hq-dz.com>

phone:15812872448

TITLE:

耳机插座

PART NO: PJ-320L

DRAWING NO: 14*6*5

DRAWN:

DATE:

18-10-08

UNIT:
mm

CHECKED:

DATE:

18-10-08

SCALE:
FULL

APPROVED:

DATE:

18-10-08

SIZE:
A4