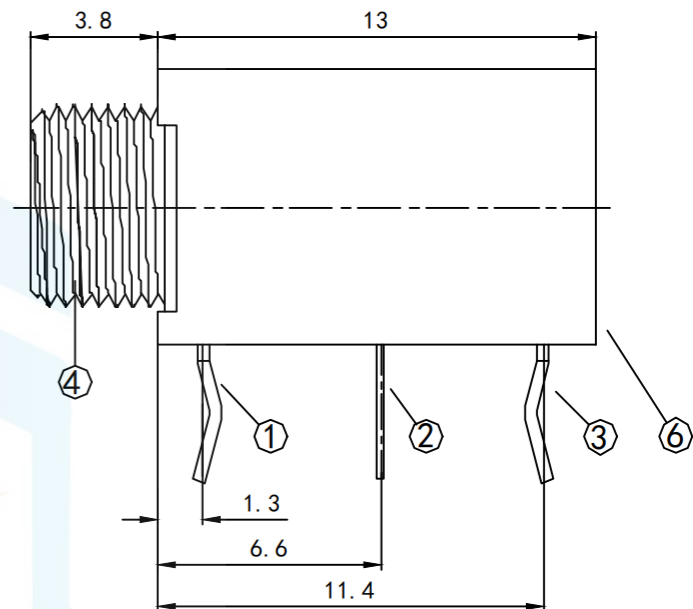
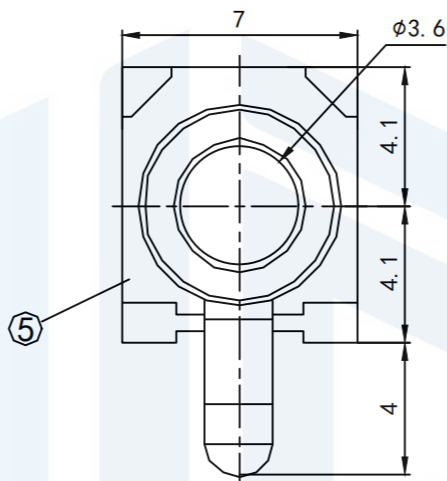
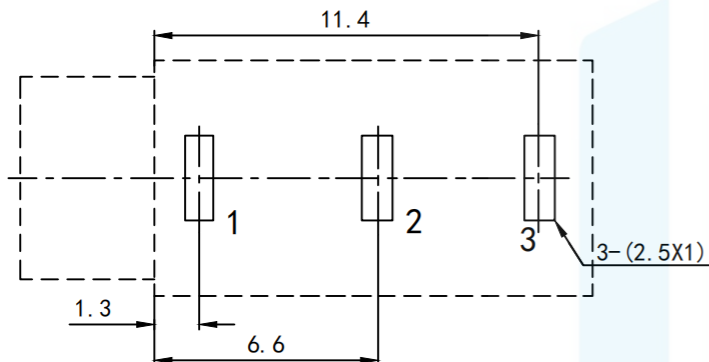
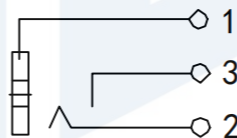


RoHS2.0
Compliant

线路板开孔尺寸
P. C. B LAYOUT



按点示意图
SCHEMATIC



Main technical requirements

- No linear tolerance:
0.0-10.0mm ± 0.10 mm
10.0-20.0mm ± 0.15 mm
20.0-50.0mm ± 0.20 mm
- the appearance should be good, no corrosion, cracks, poor plating and other phenomena.

Main technical performance

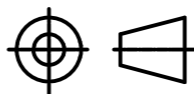
- Rated electrical load: 30V 0.2A;
- Contact resistance: $< 0.03\Omega$;
- Insulation resistance: $> 100M\Omega$;
- Withstand voltage: AC250V (50Hz)min
- Insertion and withdrawal force: 3-15N;
- Life: 5,000 times.

6	后盖	1	PBT	(黑)
5	底座	1	PBT	(黑)
4	轴套	1	H59黄铜棒	镍
3	弯片	1	H62黄铜带T=0.35	铜锡
2	簧片	1	磷铜带T=0.25	铜锡
1	平片	1	H62黄铜带T=0.35	铜锡
序号	名称	数量	材料	镀涂

TOLERANCE

X. XXX	± 0.05
X. XX	± 0.15
X. X	± 0.20
X.	± 0.30
ANGLE	$\pm 5.0^\circ$

PROTECTON



东莞市恒祺电子科技有限公司

Dongguan Hengqi Electronic Technology Co., Ltd

<https://www.hq-dz.com>

phone:15812872448

TITLE:

耳机插座

PART NO: PJ-316M

DRAWING NO: 16.8*7*8.2

DRAWN:

DATE:

18-10-08

UNIT:
mm

CHECKED:

DATE:

18-10-08

SCALE:
FULL

APPROVED:

DATE:

18-10-08

SIZE:
A4