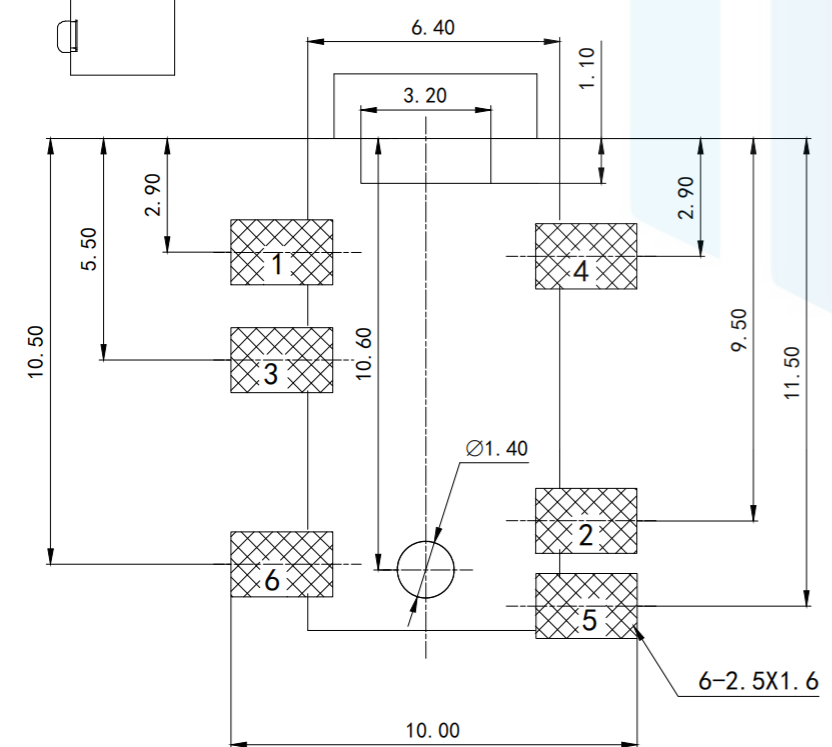
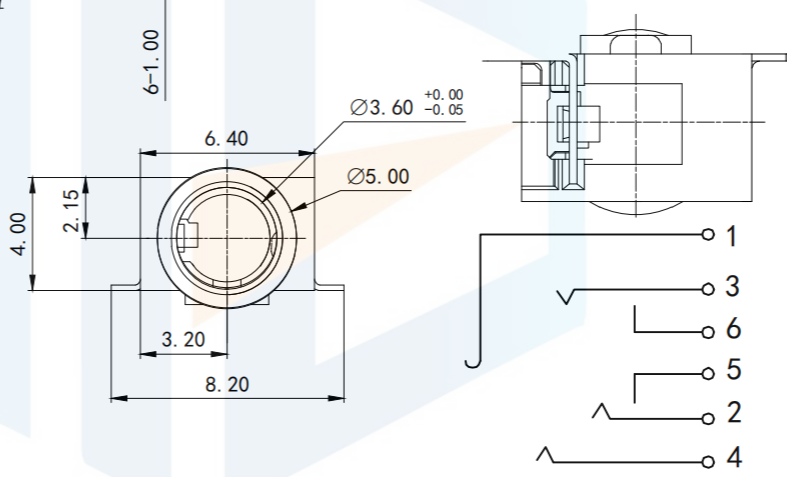
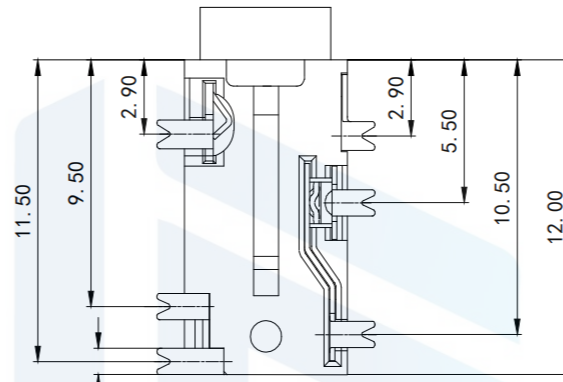
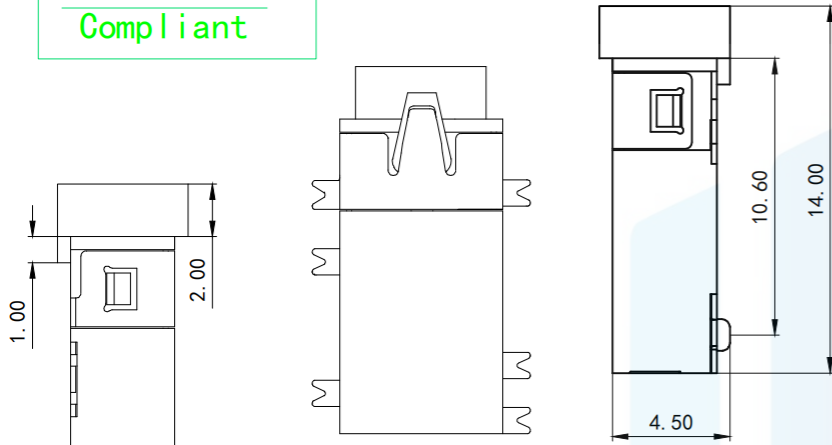


RoHS2.0
Compliant

Main technical performance

1. Rated electrical load: 30V 0.5A;
2. Contact resistance: 0.03Ω;
3. Absolute edge resistance: >100 MΩ;
4. Withstand voltage: AC 250V (50Hz) min
5. Insertion and withdrawal force: 3-15N
6. Life: 5,000 times.



CIRCUIT DIAGRAM

TOLERANCE X. XXX ±0.05 X. XX ±0.15 X. X ±0.20 X. ±0.30 ANGLE ±5.0°		东莞市恒祺电子科技有限公司 Dongguan Hengqi Electronic Technology Co., Ltd		
		https://www.hq-dz.com phone:15812872448		
PROTECTON 	TITLE: 耳机插座		PART NO: PJ-342	
	DRAWN:		DATE: 18-10-08	
	CHECKED:		DATE: 18-10-08	
APPROVED:		DATE: 18-10-08		UNIT: mm
				SCALE: FULL
				SIZE: A4

P. C. B LAYOUT (copper-side view)