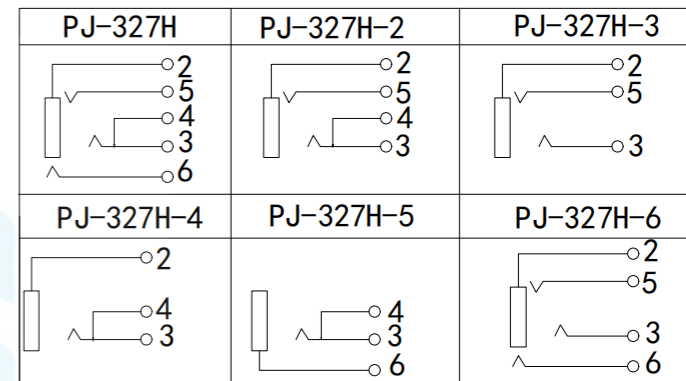
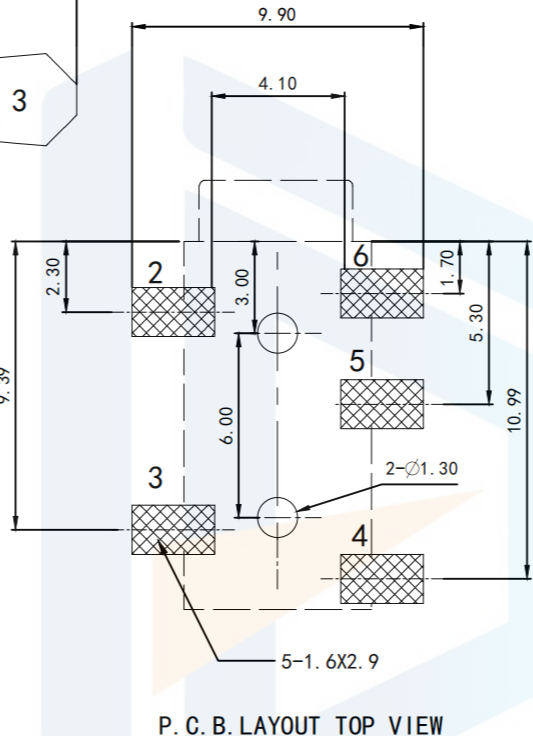
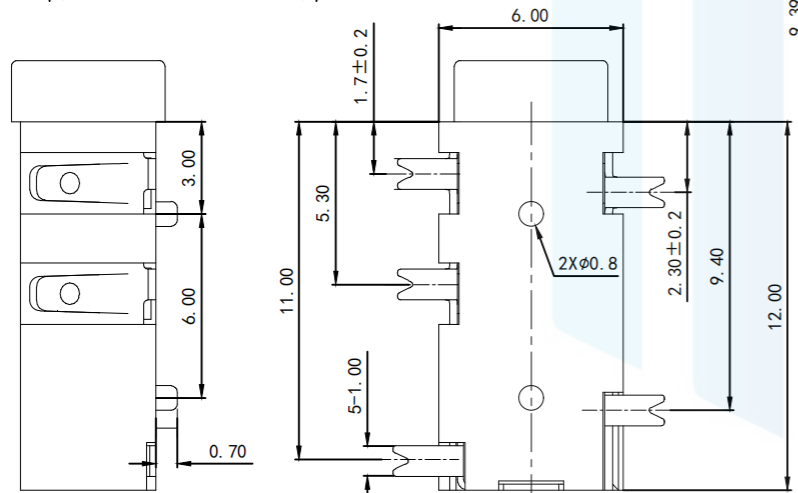
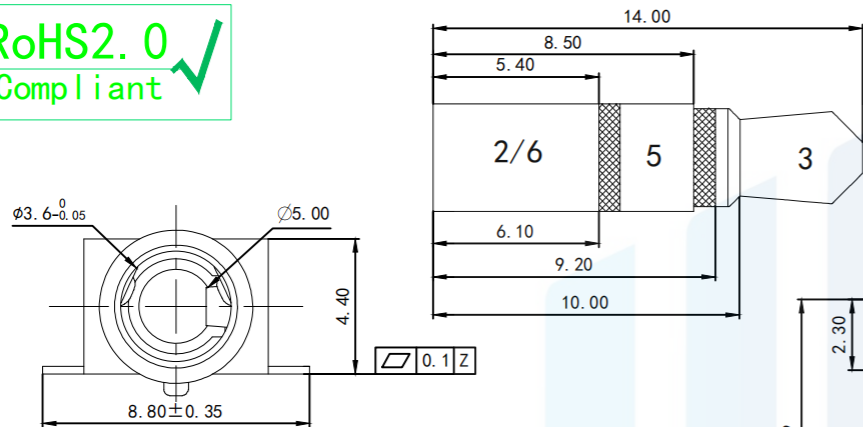
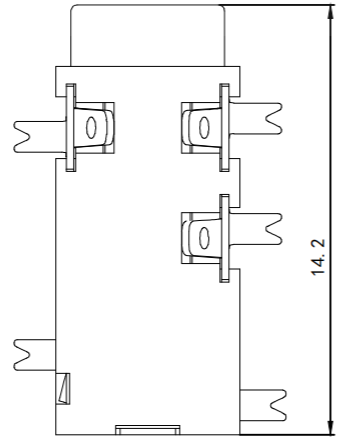
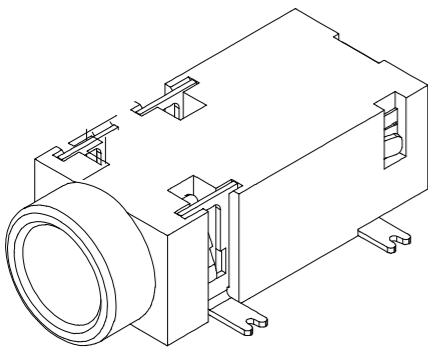



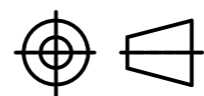
RoHS2.0
Compliant



SCHEMATIC

- Main technical performance
1. Rated electrical load: 30V 0.5A;
 2. Contact resistance: 0.03 Ω ;
 3. Absolute edge resistance: >100 M Ω ;
 4. Withstand voltage: AC 250V (50Hz) min
 5. Insertion and withdrawal force: 3-15N
 6. Life: 5,000 times.



TOLERANCE	X. XXX	±0.05		东莞市恒祺电子科技有限公司 Dongguan Hengqi Electronic Technology Co., Ltd		
	X. XX	±0.15		https://www.hq-dz.com phone:15812872448		
X. X ±0.20 X. ±0.30 ANGLE ±5.0°	TITLE:		PART NO: PJ-327H			
	耳机插座		DRAWING NO: 14. 2*6*4			
	PROTECTON	DRAWN:	DATE:	18-10-08	UNIT: mm	
	CHECKED:	DATE:	18-10-08	SCALE: FULL		
	APPROVED:	DATE:	18-10-08	SIZE: A4		