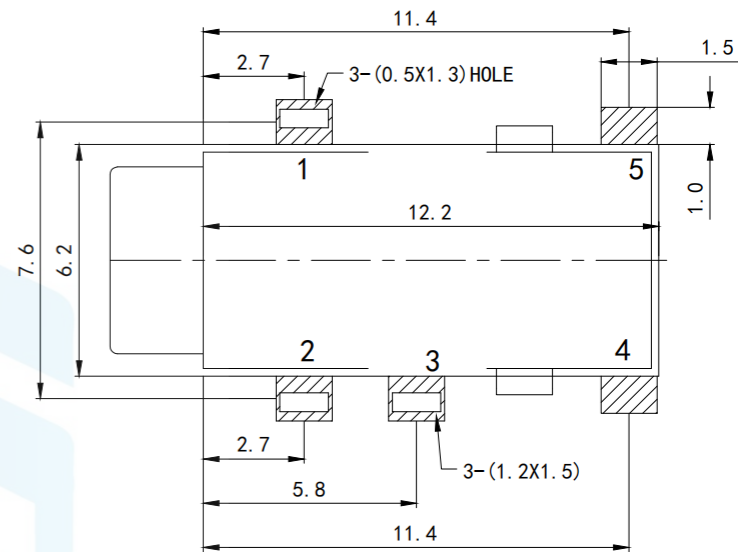
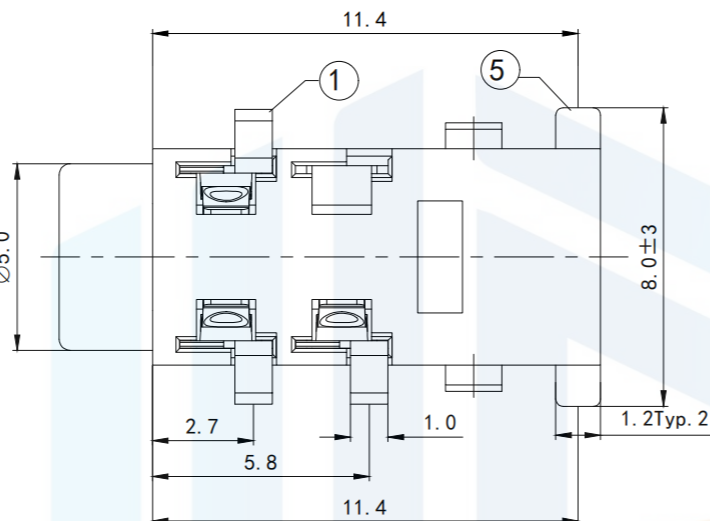
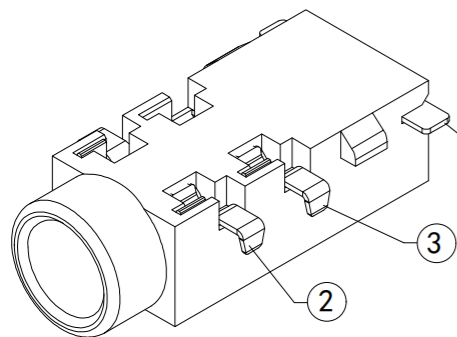
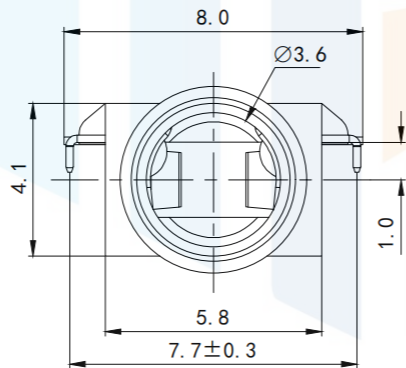


RoHS2.0
Compliant



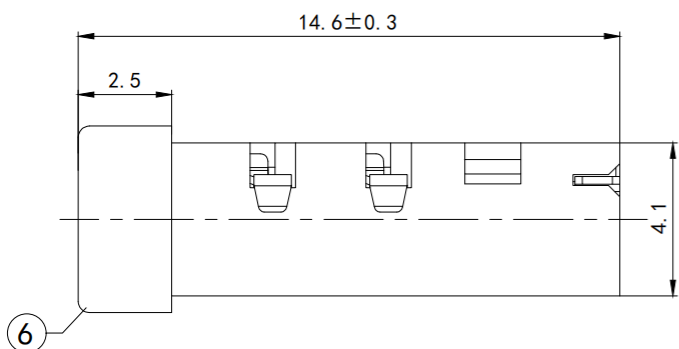
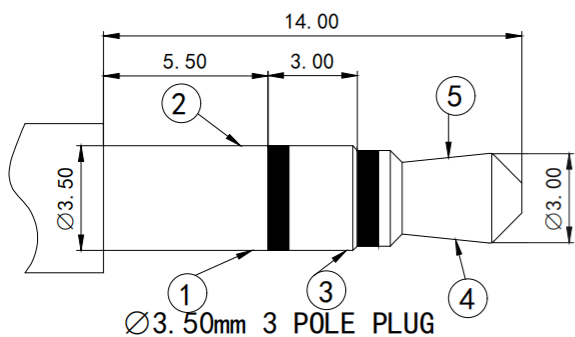
P. C. B LAYOUT
TOP VIEW



SCHEMATIC

SPECIFICATION

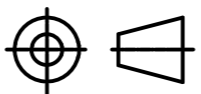
1. Rating :DC 30V 0.5A ;
2. Contact resistance :<0.03Ω;
3. Insulation resistance : >100MΩ (DC250V)
4. Withstand voltage : 500VAC;
5. Insertion and extraction force : 3-20N;
6. life test : 5,000 cles



TOLERANCE

X. XXX	±0.05
X. XX	±0.15
X. X	±0.20
X.	±0.30
ANGLE	±5.0°

PROTECTON



东莞市恒祺电子科技有限公司
Dongguan Hengqi Electronic Technology Co., Ltd

<https://www.hq-dz.com>

phone:15812872448

TITLE:

耳机插座

PART NO:PJ-327B

DRAWING NO:14.6*5.8*4

DRAWN:

DATE:

18-10-08

UNIT:
mm

CHECKED:

DATE:

18-10-08

SCALE:
FULL

APPROVED:

DATE:

18-10-08

SIZE:
A4