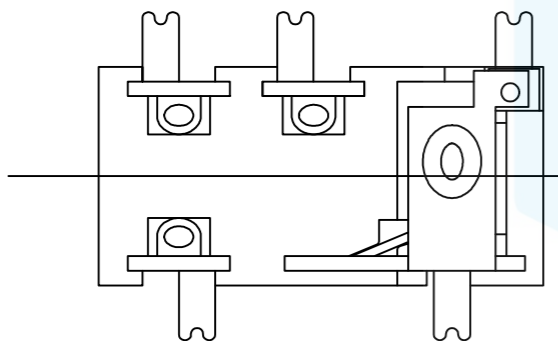
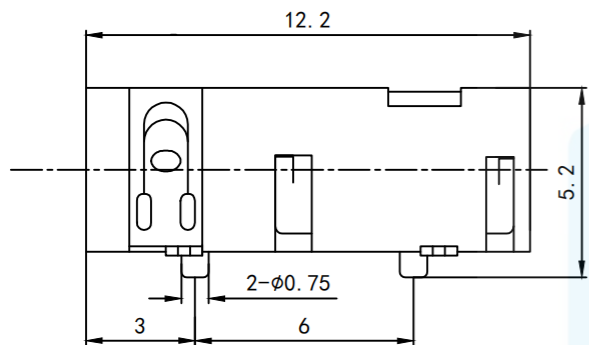
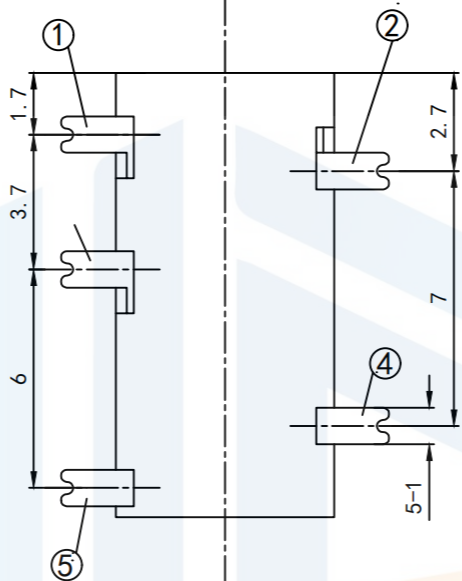


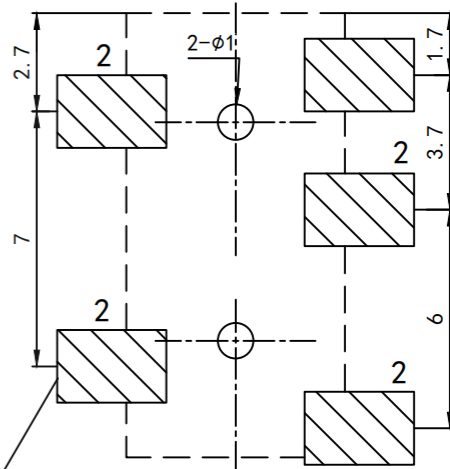
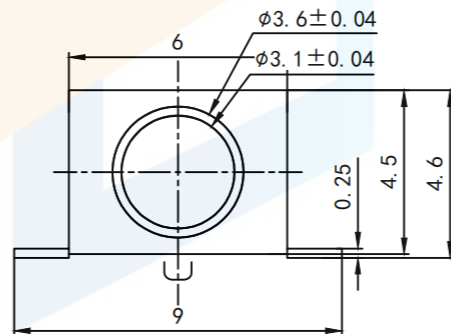
RoHS2.0  
Compliant



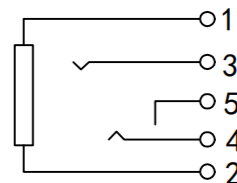
A面视图



对应端子图



电原理图



对应端子图

SPECIFICATION

1. Rating :DC 30V 0.5A ;
2. Contact resistance :<0.03Ω;
3. Insulation resistance : >100MΩ (DC250V)
4. Withstand voltage : 500VAC;
5. Insertion and extraction force : 3-20N;
6. life test : 5,000 cles

<b>TOLERANCE</b>			东莞市恒祺电子科技有限公司 Dongguan Hengqi Electronic Technology Co., Ltd					
X. XXX	±0.05							
X. XX	±0.15	https://www.hq-dz.com			phone:15812872448			
X. X	±0.20	TITLE: 耳机插座		PART NO: PJ-327AW				
X.	±0.30			DRAWING NO: 12.2*6*4.5				
ANGLE	±5.0°	DRAWN:		DATE:	18-10-08	UNIT: mm		
				CHECKED:		DATE:	18-10-08	SCALE: FULL
						APPROVED:		DATE: