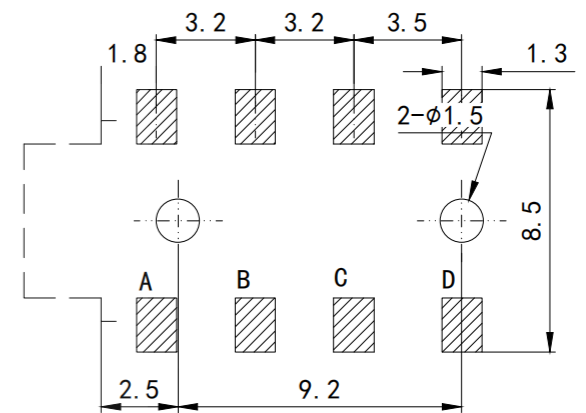
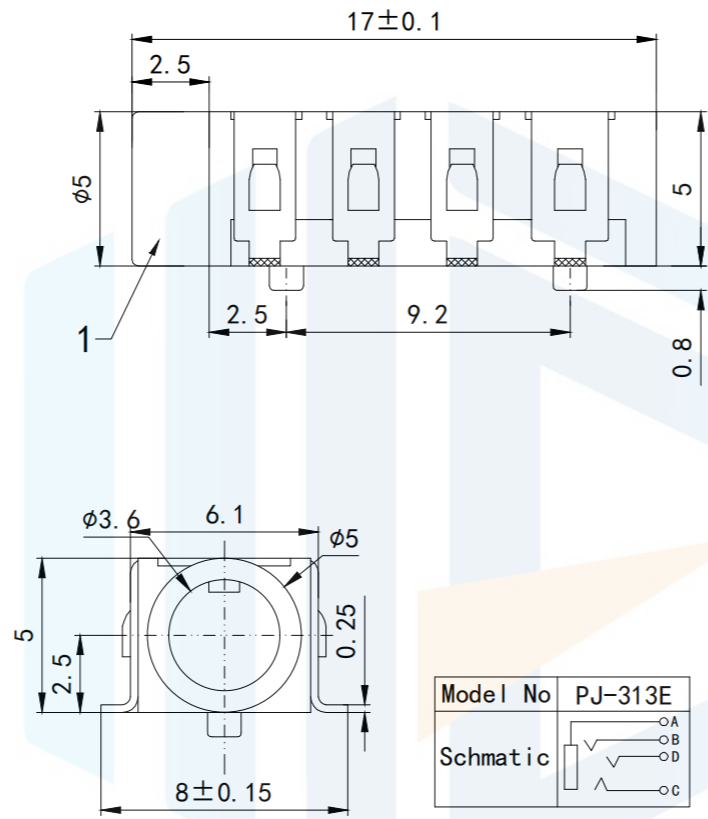
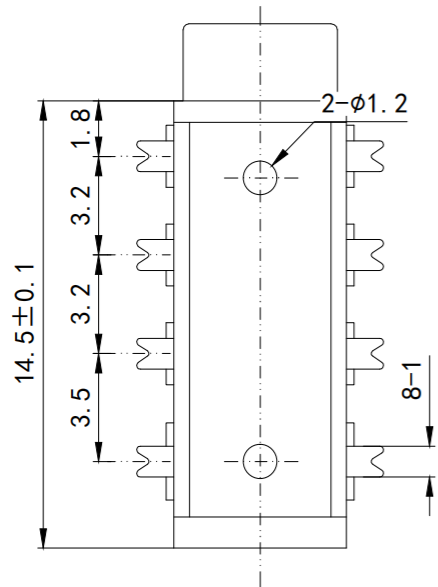
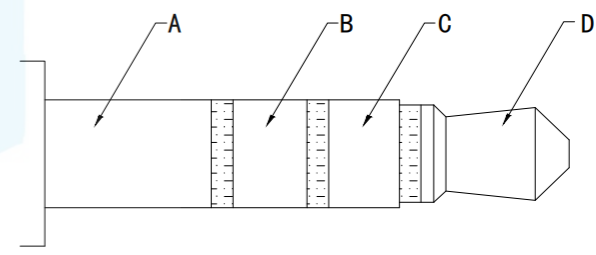


RoHS2.0
Compliant



印制板开孔示意图



φ3.5 MATE PLUG

Model No	PJ-313E
Schematic	

SPECIFICATION

1. Rating : DC 30V, 0.5A;
2. Contact resistance : <30mΩ ;
3. Insulation resistance: >100MΩ ;
4. Withstand voltage : 500VAC ;
5. Insertion and extraction force: 3-20N;
6. life test : 5,000 cycles 。

TOLERANCE			东莞市恒祺电子科技有限公司							
X. XXX	±0.05		Dongguan Hengqi Electronic Technology Co., Ltd							
X. XX	±0.15	https://www.hq-dz.com		phone:15812872448						
X. X	±0.20	耳机插座		PART NO:PJ-313E						
X.	±0.30			DRAWING NO:17*6*5						
ANGLE	±5.0°	DRAWN:		DATE:	18-10-08	UNIT:	mm			
				CHECKED:		DATE:	18-10-08	SCALE:		FULL
						APPROVED:		DATE:	18-10-08	SIZE:

A
B
C
D
E
F

A
B
C
D
E
F

1 2 3 4 5 6 7 8