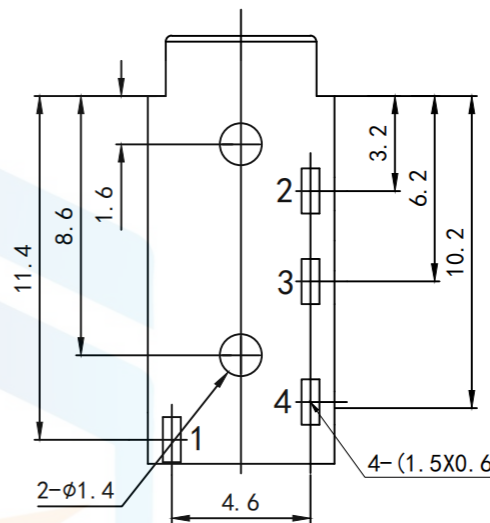
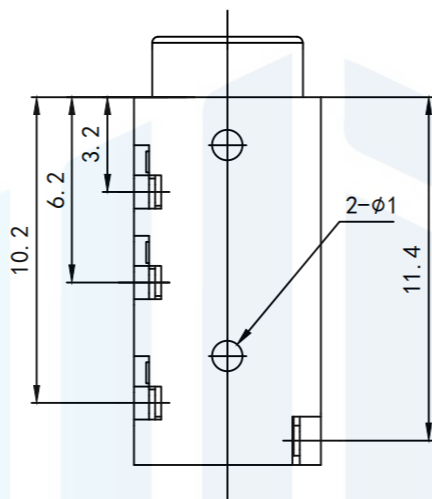
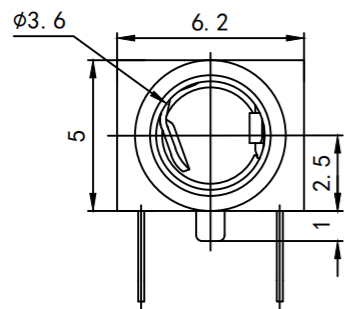
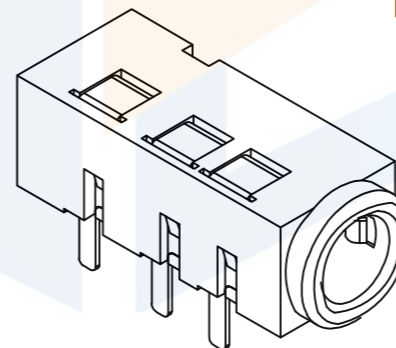
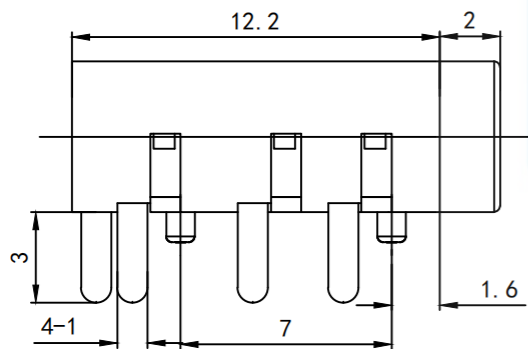
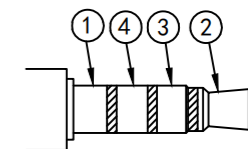


RoHS2.0
Compliant



P. C. B LAYOUT TOP VIEW



MODEL NO.	PJ-320A	PJ-320
SCHEMATIC		

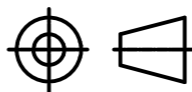
SPECIFICATION

1. Rating : DC 30V 0.5A
2. Contact resistance : <30mΩ
3. Insulation resistance : >100MΩ
4. Withstand voltage : 500VAC
5. Insertion and extraction force: 3-30N
6. life test : 5,000 cycles

TOLERANCE

X. XXX	±0.05
X. XX	±0.15
X. X	±0.20
X.	±0.30
ANGLE	±5.0°

PROTECTON



东莞市恒祺电子科技有限公司

Dongguan Hengqi Electronic Technology Co., Ltd

<https://www.hq-dz.com>

phone:15812872448

TITLE:

耳机插座

PART NO: PJ-320A

DRAWING NO: 6*5*15

DRAWN:

DATE:

18-10-08

UNIT:
mm

CHECKED:

DATE:

18-10-08

SCALE:
FULL

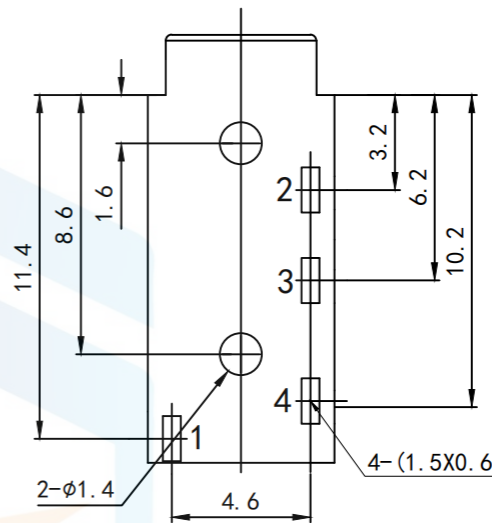
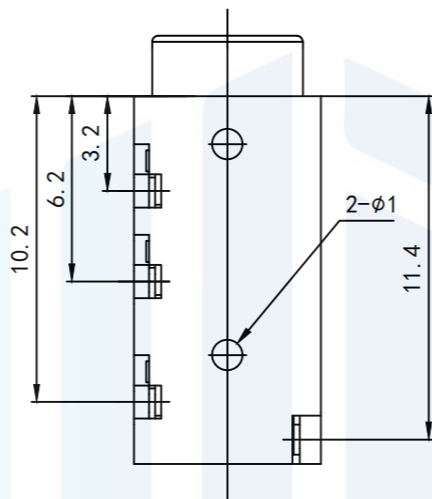
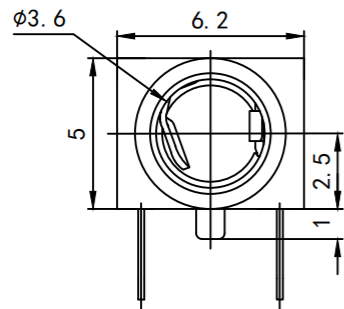
APPROVED:

DATE:

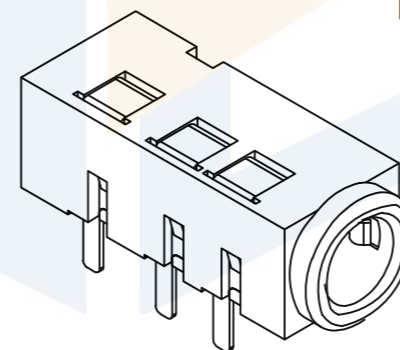
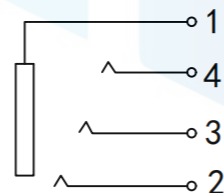
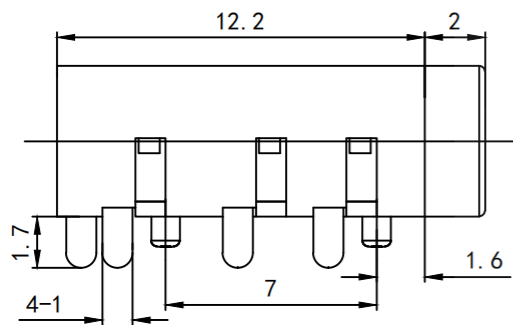
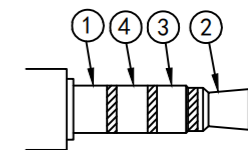
18-10-08

SIZE:
A4

RoHS2.0
Compliant



P. C. B LAYOUT TOP VIEW



MODEL NO.	PJ-320A	PJ-320
SCHEMATIC		

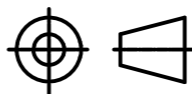
SPECIFICATION

1. Rating : DC 30V 0.5A
2. Contact resistance : <30mΩ
3. Insulation resistance : >100MΩ
4. Withstand voltage : 500VAC
5. Insertion and extraction force: 3-30N
6. life test : 5,000 cycles

TOLERANCE

X. XXX	±0.05
X. XX	±0.15
X. X	±0.20
X.	±0.30
ANGLE	±5.0°

PROTECTON



东莞市恒祺电子科技有限公司

Dongguan Hengqi Electronic Technology Co., Ltd

<https://www.hq-dz.com>

phone:15812872448

TITLE:

耳机插座

PART NO: PJ-320A-1.7

DRAWING NO: 6*5*15

DRAWN:

DATE:

18-10-08

UNIT:
mm

CHECKED:

DATE:

18-10-08

SCALE:
FULL

APPROVED:

DATE:

18-10-08

SIZE:
A4