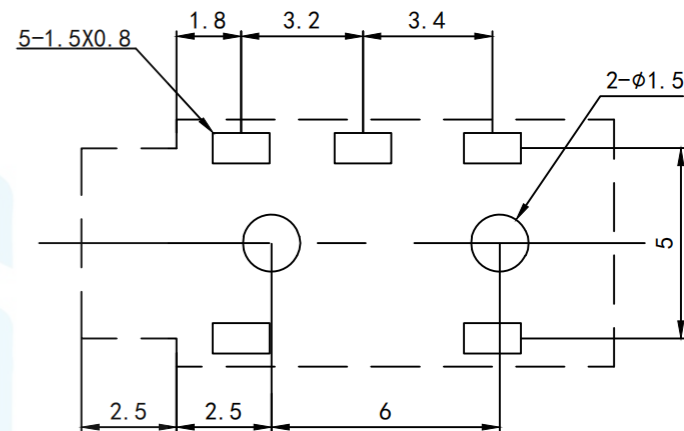
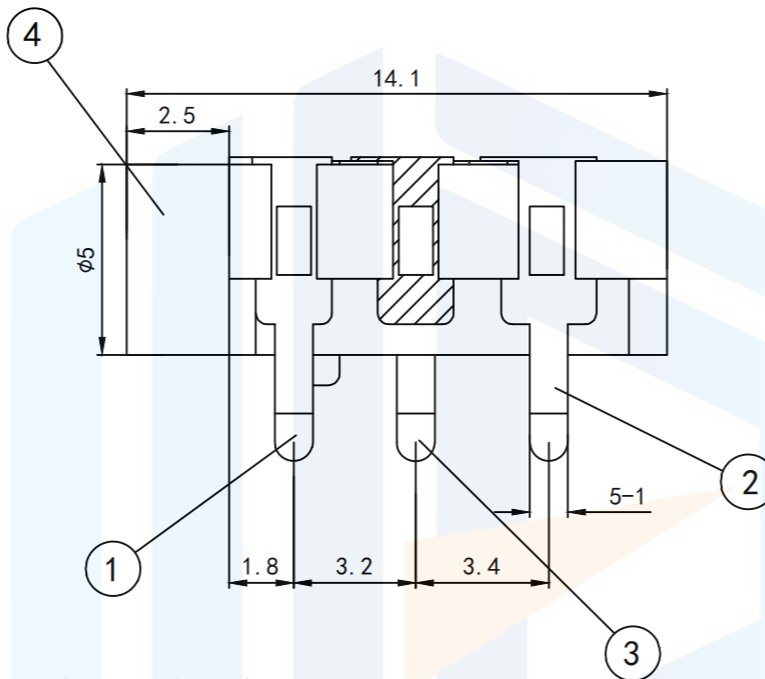
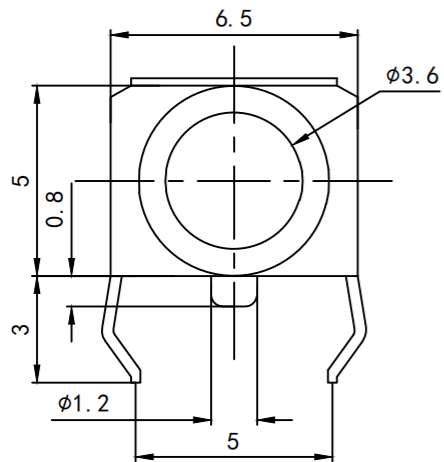


RoHS2.0
Compliant



电路结构示意图



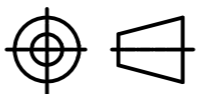
4	基座	1PCS	PBT (黑色)		
3	声道接触脚	1PCS	磷铜 t=0.25	电镀: 银	
2	声道接触脚	1PCS	磷铜 t=0.25	电镀: 银	
1	接地焊脚	1PCS	磷铜 t=0.25	电镀: 银	
序号	零件图号或代号	名称	数量	材料	备注

Technical requirement
 Use condition: -40~55°C
 Rated load: DC 30V 0.5A
 Contact resistance: <0.03Ω
 Insulation resistance: >100MΩ DC250V
 Voltage: AC 500V(50Hz)/min
 Insertion and removal force: 3~20N
 Mechanical life: 10000 times

TOLERANCE

X. XXX	±0.05
X. XX	±0.15
X. X	±0.20
X.	±0.30
ANGLE	±5.0°

PROTECTON



东莞市恒祺电子科技有限公司
 Dongguan Hengqi Electronic Technology Co., Ltd

<https://www.hq-dz.com> phone:15812872448

TITLE: 耳机插座		PART NO: PJ-313		
		DRAWING NO: 14*6.5*5		
DRAWN:		DATE:	18-10-08	UNIT: mm
CHECKED:		DATE:	18-10-08	SCALE: FULL
APPROVED:		DATE:	18-10-08	SIZE: A4