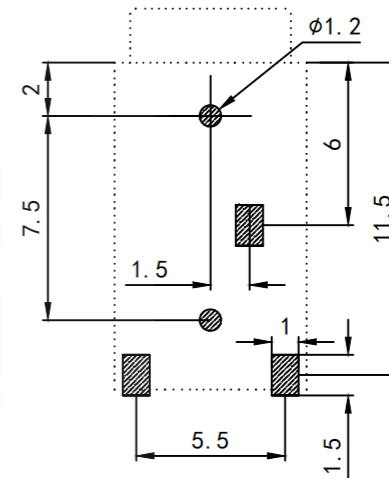
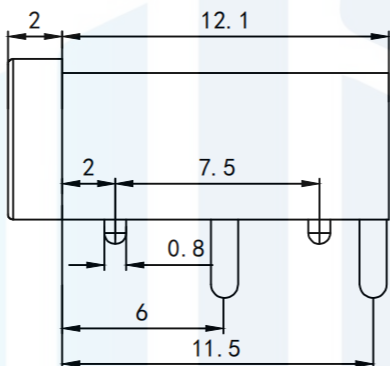
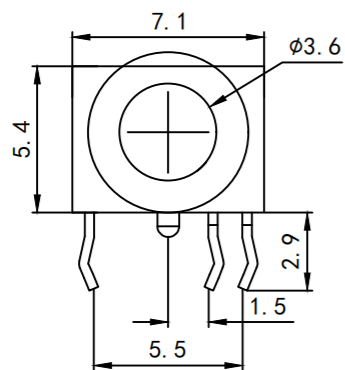
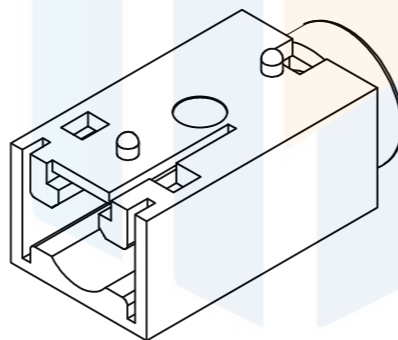
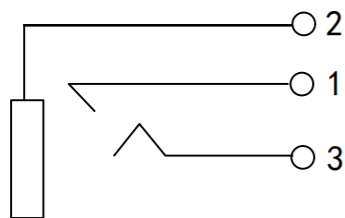


RoHS2.0
Compliant

线路板开孔尺寸



电路原理图



序号	名称	数量	材料	备注
4	基座	1	PBT	黑/配色
3	3#接触脚	1	QSn6.5-0.1锡青铜带 δ=0.3mm	铜锡
2	2#接触脚	1	QSn6.5-0.1锡青铜带 δ=0.3mm	铜锡
1	1#接触脚	1	QSn6.5-0.1锡青铜带 δ=0.3mm	铜锡

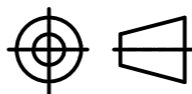
Main technical performance

1. Rated electrical load: 30V-0.5A;
2. Contact resistance: <0.03Ω;
3. Insulation resistance: >100MΩ
4. Withstand voltage: AC500V(50Hz)/min;
5. Insertion and withdrawal force: 3~20N;
6. Life: 5,000 times.

TOLERANCE

X. XXX	±0.05
X. XX	±0.15
X. X	±0.20
X.	±0.30
ANGLE	±5.0°

PROTECTON



东莞市恒祺电子科技有限公司

Dongguan Hengqi Electronic Technology Co., Ltd

<https://www.hq-dz.com>

phone:15812872448

TITLE:

耳机插座

PART NO: PJ-312

DRAWING NO: 14*7*5

DRAWN:

DATE:

18-10-08

UNIT:
mm

CHECKED:

DATE:

18-10-08

SCALE:
FULL

APPROVED:

DATE:

18-10-08

SIZE:
A4