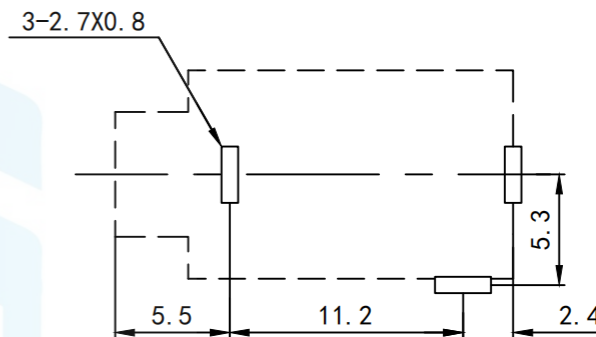
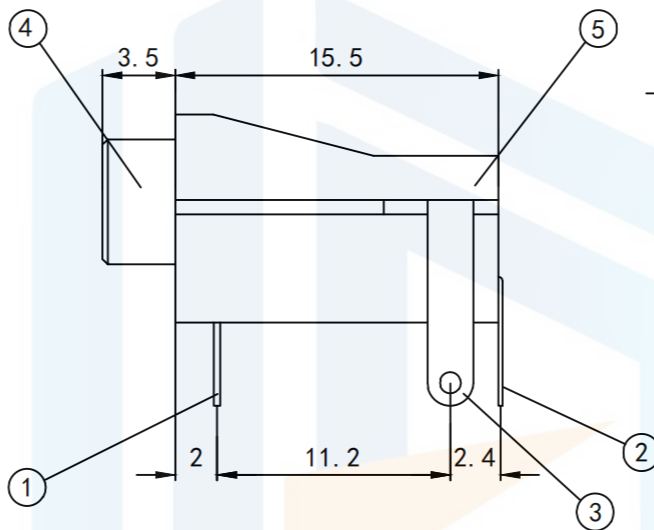
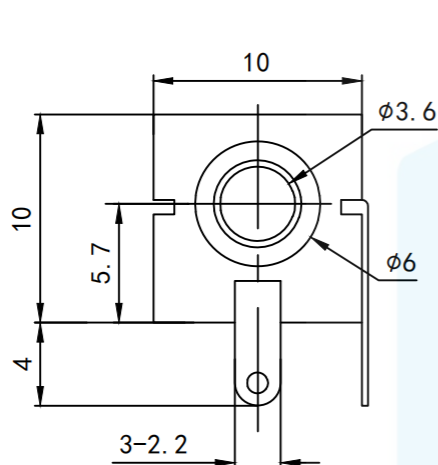
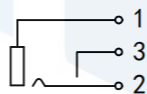


RoHS2.0  
Compliant



电路结构示意图



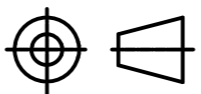
1		基座	1PCS	ABS(黑色)	
1		轴套	1PCS	H59-1黄铜	电镀: 锡
1		开关固定脚	1PCS	H62 黄铜 t=0.3	电镀: 锡
1		声道接触脚	1PCS	65Mn钢 t=0.2	电镀: 锡
1		接地焊脚	1PCS	H62 黄铜 t=0.3	电镀: 锡
序号	零件图号或代号	名称	数量	材料	备注

Technical requirement  
 Use condition:  $-40 \sim 55^{\circ}\text{C}$   
 Rated load: DC 30V 0.5V  
 Insulation resistance:  $< 0.03\Omega$   
 Insulation resistance:  $> 100\text{M}\Omega$  DC250V  
 Voltage: AC 55V(50HZ) /min  
 Insertion and removal force :  $3 \sim 20\text{N}$   
 Mechanical life: 5000 times

TOLERANCE

X. XXX	$\pm 0.05$
X. XX	$\pm 0.15$
X. X	$\pm 0.20$
X.	$\pm 0.30$
ANGLE	$\pm 5.0^{\circ}$

PROTECTON



东莞市恒祺电子科技有限公司

Dongguan Hengqi Electronic Technology Co., Ltd

<https://www.hq-dz.com>

phone: 15812872448

TITLE:

耳机插座

PART NO: PJ-302

DRAWING NO: 19\*10\*10

DRAWN:

DATE:

18-10-08

UNIT:  
mm

CHECKED:

DATE:

18-10-08

SCALE:  
FULL

APPROVED:

DATE:

18-10-08

SIZE:  
A4