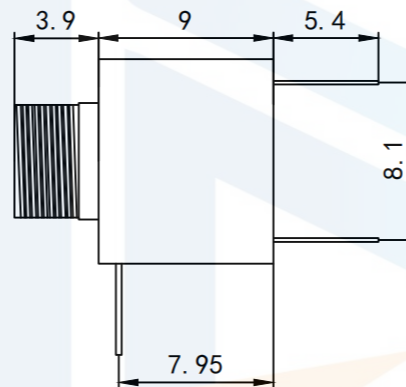
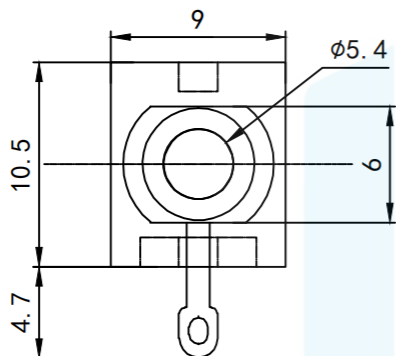
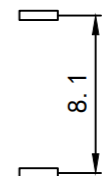


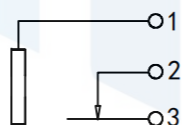
RoHS2.0  
Compliant



线路板安装尺寸示意图



按点示意图



序号	零件图号或代号	名称	数量	材料	备注
4		基座	1PCS	ABS	
3		动触片	1PCS	黄铜0.25	电镀: 锡T
2		静触片	1PCS	黄铜0.25	电镀: 铜锡
1		静触片	1PCS	黄铜0.3	电镀: 铜锡

Technical requirement  
 Use condition: -40 ~55°C  
 Rated load: DC 30V 0.5V  
 Insulation resistance: <0.03Ω  
 Insulation resistance: >100MΩ DC250V  
 Voltage: AC 55V(50HZ) /min  
 Insertion and removal force :3~20N  
 Mechanical life: 5000 times

TOLERANCE			东莞市恒祺电子科技有限公司		
X. XXX	±0.05		Dongguan Hengqi Electronic Technology Co., Ltd		
X. XX	±0.15	https://www.hq-dz.com		phone:15812872448	
X. X	±0.20	TITLE: 耳机插座		PART NO: PJ-301M	
X.	±0.30			DRAWING NO: 13*9*10	
ANGLE	±5.0°				
PROTECTON		DRAWN:	DATE:	18-10-08	UNIT: mm
		CHECKED:	DATE:	18-10-08	SCALE: FULL
		APPROVED:	DATE:	18-10-08	SIZE: A4