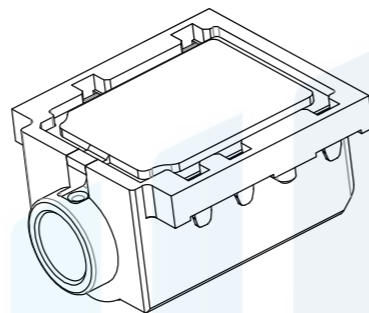
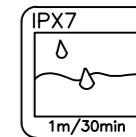
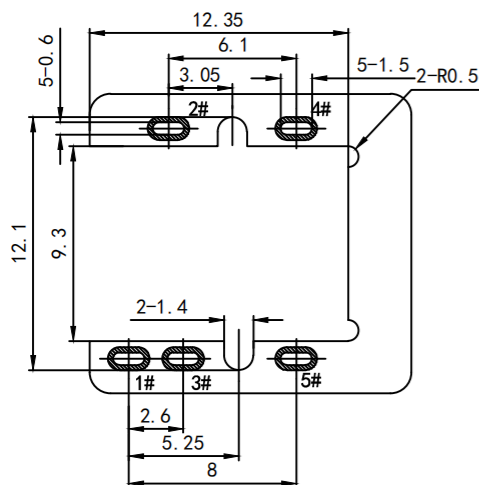


RoHS2.0
Compliant



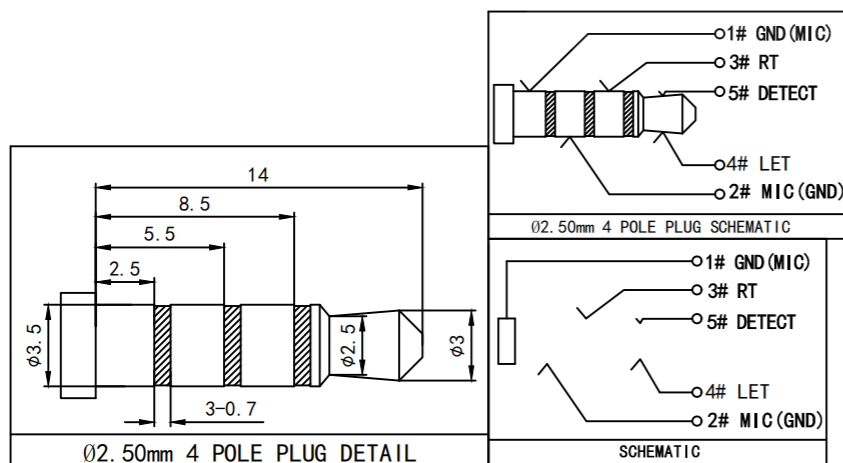
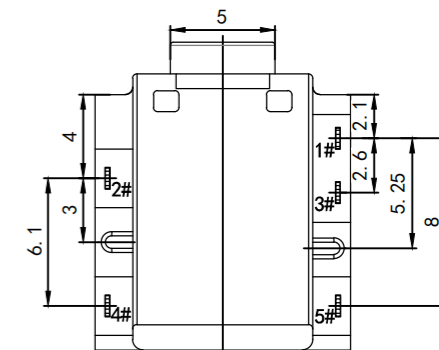
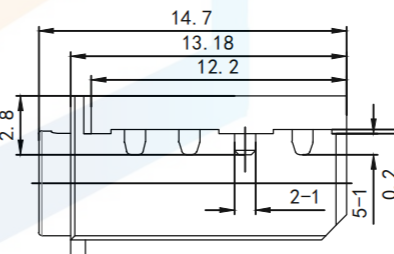
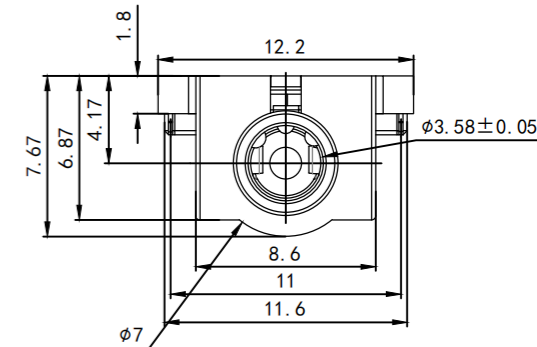
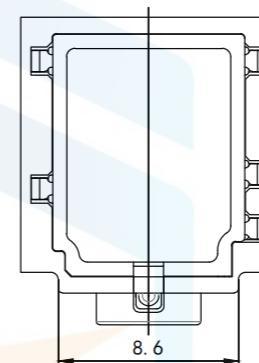
3D VIEW



PCB LAYOUT (TOP VIEW)
TOLERANCE: ± 0.05

NOTES

1. CURRENT RATING: 1A.
2. CONTACT RESISTANCE: 100m Ω MAX.
3. INSULATION RESISTANCE: 100M Ω MIN.
4. DIELECTRIC WITHSTANDING: 500V AC MIN.
5. DURABILITY: 5000 CYCLES MIN.
6. CONNECTOR MATING FORCES: 3~30N.
7. CONNECTOR UNMATING CORCES: 3~30N.
8. OPERATING TEMPERATURE: -25° C TO +85° C.
9. WATERPROOF LEVEL: IP67



TOLERANCE	X. XXX	± 0.05		东莞市恒祺电子科技有限公司 Dongguan Hengqi Electronic Technology Co., Ltd	
	X. XX	± 0.15		https://www.hq-dz.com phone:15812872448	
PROTECTON 	X. X	± 0.20	TITLE: 防水耳机插座	PART NO: PJ-1307	
	X.	± 0.30		DRAWING NO: 14.7*12.2*7.67	
	ANGLE	$\pm 5.0^\circ$		DRAWN:	DATE: 18-10-08
			CHECKED:	DATE: 18-10-08	SCALE: FULL
			APPROVED:	DATE: 18-10-08	SIZE: A4