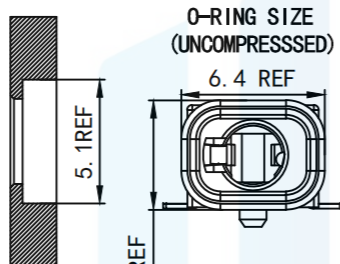
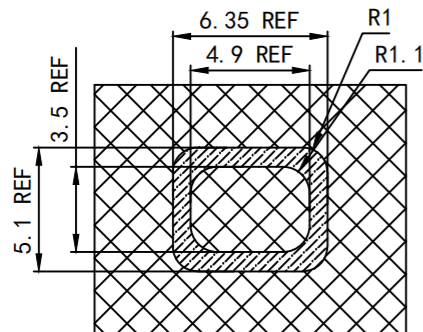
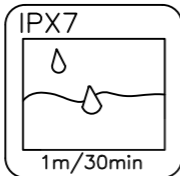


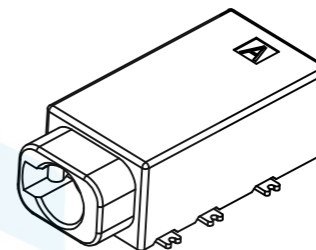
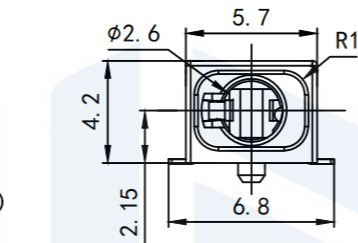
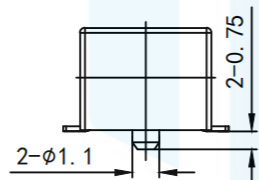
RoHS2.0
Compliant



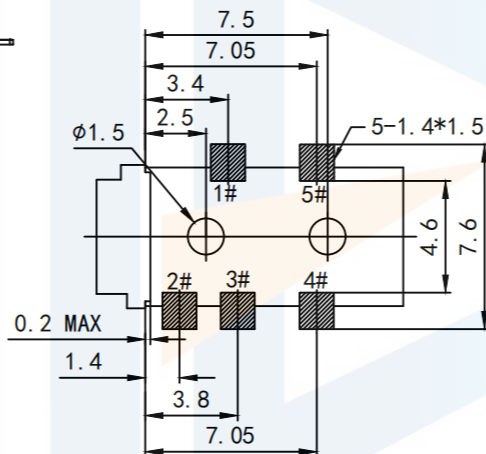
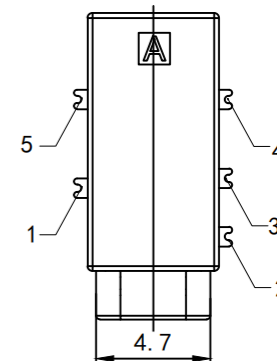
面板开孔参考尺寸

NOTES

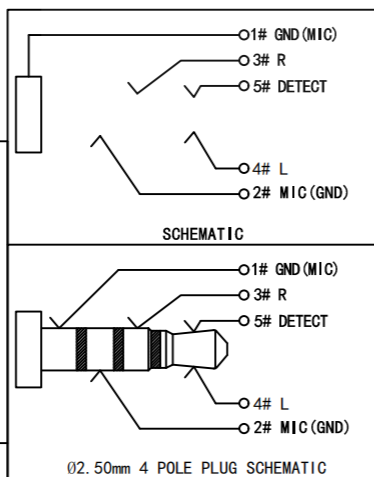
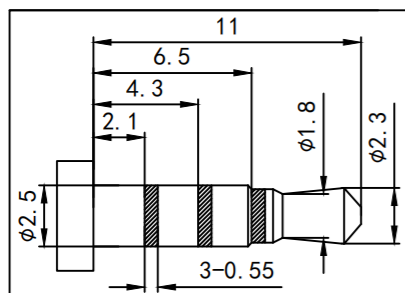
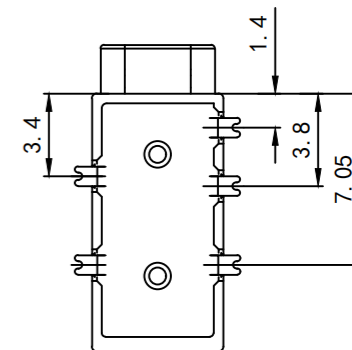
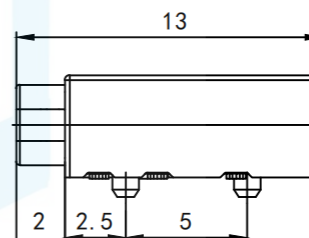
- CURRENT RATING: 1A.
- CONTACT RESISTANCE: 100mΩ MAX.
- INSULATION RESISTANCE: 100MΩ MIN.
- DIELECTRIC WITHSTANDING: 500V AC MIN.
- DURABILITY: 5000 CYCLES MIN.
- CONNECTOR MATING FORCES: 3~30N.
- CONNECTOR UNMATING FORCES: 3~30N.
- OPERATING TEMPERATURE: -25° C TO +85° C.
- WATERPROOF LEVEL: IP67



3D VIEW



RECOMMENDED P. C. B LAYOUT
TOP VIEW (TOLRANCE: ±0.05)



Ø2.50mm 4 POLE PLUG DETAIL

Ø2.50mm 4 POLE PLUG SCHEMATIC

Not to install the waterproof ring shipment

TOLERANCE

X. XXX	±0.05
X. XX	±0.15
X. X	±0.20
X.	±0.30
ANGLE	±5.0°



东莞市恒祺电子科技有限公司
Dongguan Hengqi Electronic Technology Co., Ltd

<https://www.hq-dz.com>

phone:15812872448

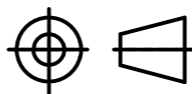
TITLE:

防水耳机插座

PART NO: PJ-1203

DRAWING NO: 13*5.7*4.2

PROTECTON



DRAWN:

CHECKED:

APPROVED:

DATE:

DATE:

DATE:

18-10-08

18-10-08

18-10-08

UNIT:
mm

SCALE:
FULL

SIZE:
A4