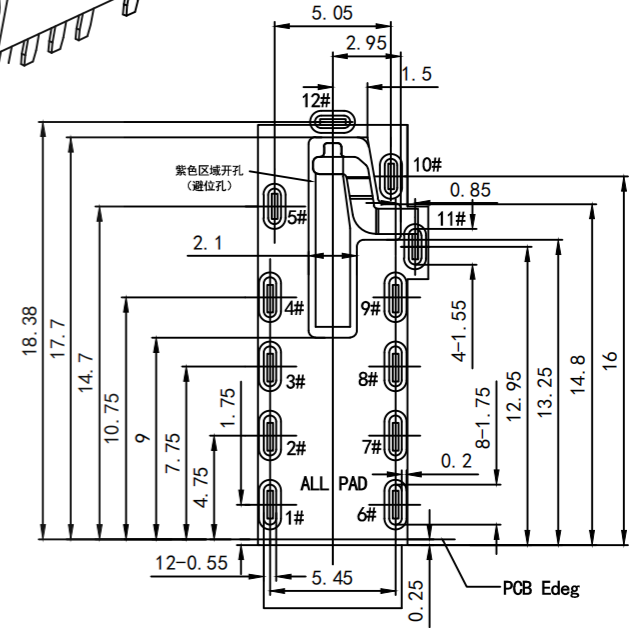
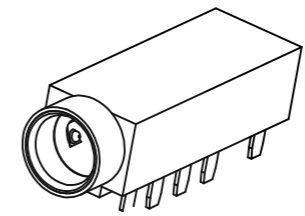
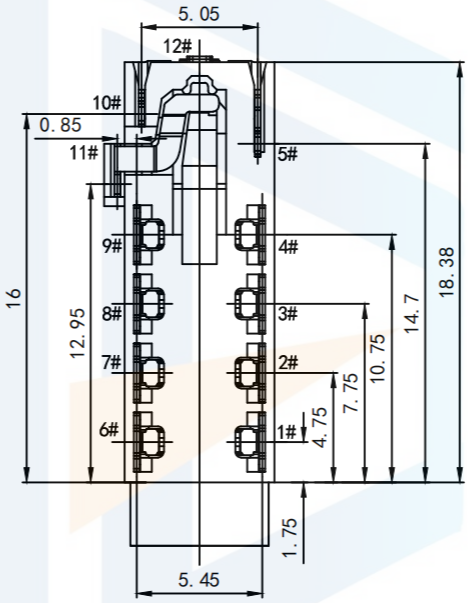
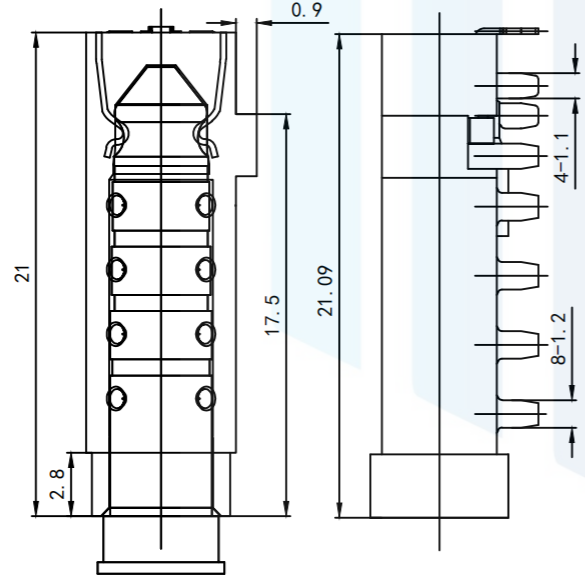
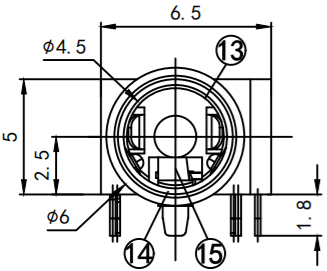
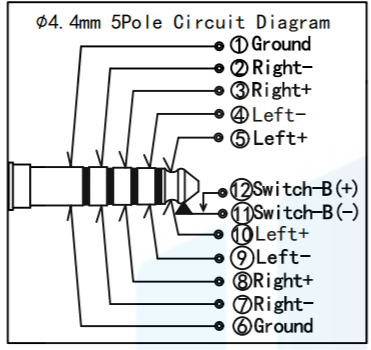


RoHS2.0
Compliant



- Notes:
- Current Rating: 12V&1A max.
 - Contact Resistance: 50mOhms Max. (intial) Switch Resistance: 100mOhms Max. (intial)
 - Insulation Resistance: 100M Ohms Min./500V DC
 - Dielectric Withstanding Voltage: 500V AC/1Minute
 - 4.4mm Mating Force: 50N Max, Withdrawal Force: 5N Min.
 - Durability: 5,000 Cycles
 - Operating Temperature:-25° C to+85°C
 - Mate Audio Plug with "JEITA RC-8141C" Standard (Length19.5mm)

TOLERANCE	X. XXX	± 0.05		东莞市恒祺电子科技有限公司		
	X. XX	± 0.15		Dongguan Hengqi Electronic Technology Co., Ltd		
PROTECTON	X. X	± 0.20		https://www.hq-dz.com phone:15812872448		
	X.	± 0.30		PART NO: PJ-3402		
	ANGLE	$\pm 5.0^\circ$	DRAWING NO: 21*6.5*5			
	DRAWN:		DATE:	18-10-08	UNIT: mm	
	CHECKED:		DATE:	18-10-08	SCALE: FULL	
	APPROVED:		DATE:	18-10-08	SIZE: A4	